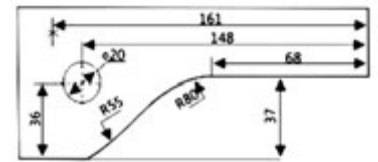
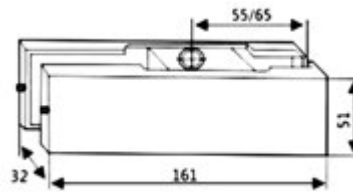


PATCH FITTING



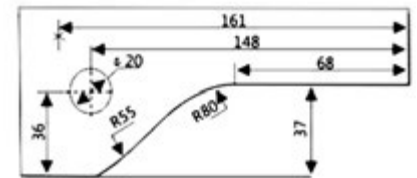
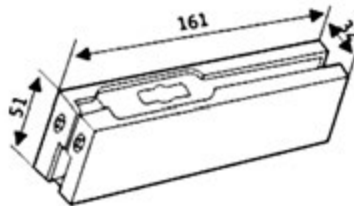


Glass Preparation

Features:

- With SS 304 cover
- Base Material Casting :- Aluminium alloy
- Suitable Glass thickness 10mm / 12mm.
- Finish :- SSS / PSS

NPF - 901 Top Patch

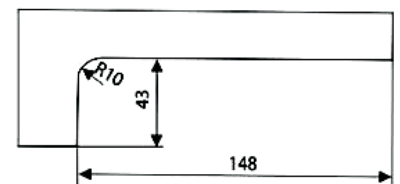
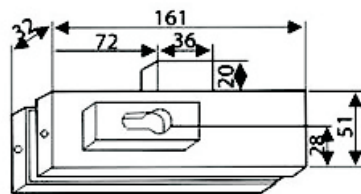


Glass Preparation

Features:

- With SS 304 cover
- Base Material Casting :- Aluminium Alloy
- Suitable Glass thickness 10mm / 12mm.
- Finish :- SSS / PSS

NPF - 902 Bottom Patch



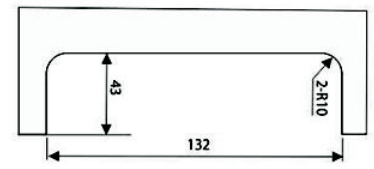
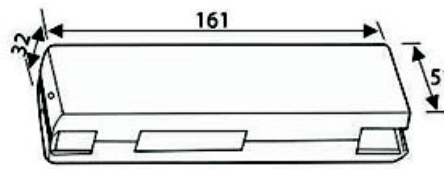
Glass Preparation

Features:

- With SS 304 cover
- Base Material Casting :- Aluminium Alloy
- Suitable Glass thickness 10mm / 12mm.
- Finish :- SSS / PSS

NPF - 903 Bottom Patch Lock

GLASS DOOR FITTING - PATCH FITTING

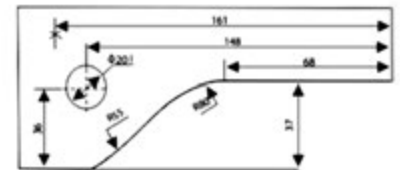
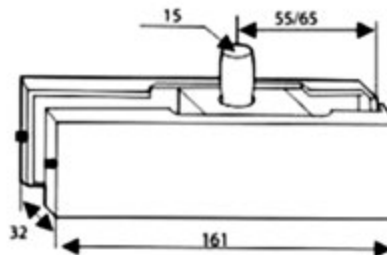


Glass Preparation

Features:

- With SS 304 cover
- Base Material Casting :- Aluminium Alloy
- Suitable Glass thickness 10mm / 12mm
- Finish :- SSS / PSS

NPF - 904 Strike Box For NPF - 903

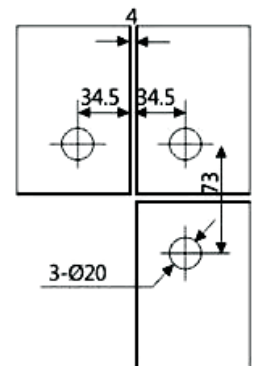
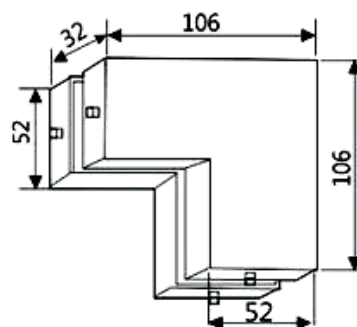
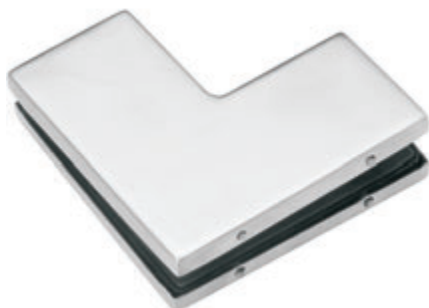


Glass Preparation

Features:

- With SS 304 cover
- Base Material Casting :- Aluminium Alloy
- Suitable Glass thickness 10mm / 12mm
- Finish :- SSS / PSS

NPF - 905 Over Panel Patch with Pivot



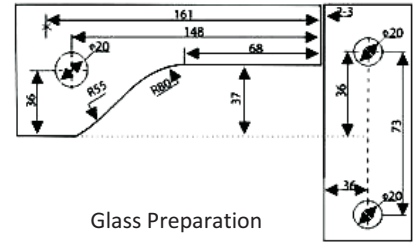
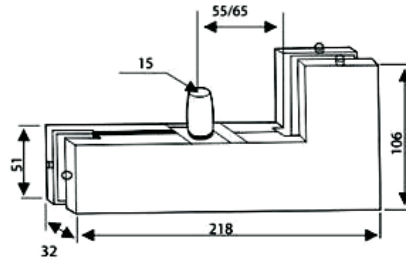
Glass Preparation

Features:

- With SS 304 cover
- Base Material Casting :- Aluminium Alloy
- Suitable Glass thickness 10mm / 12mm
- Finish :- SSS / PSS

NPF - 906 Small "L" Patch

GLASS DOOR FITTING - PATCH FITTING

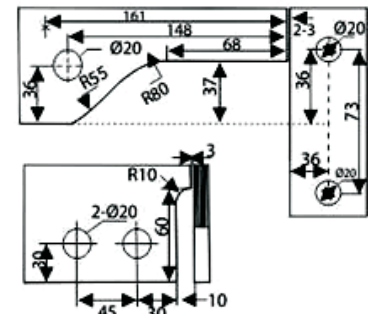
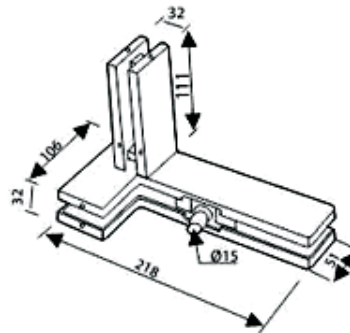


Glass Preparation

Features:

- With SS 304 cover
- Base Material Casting :- Aluminium Alloy
- Suitable Glass thickness 10mm / 12mm
- Finish :- SSS / PSS

NPF - 907 Big "L" Patch with Pivot

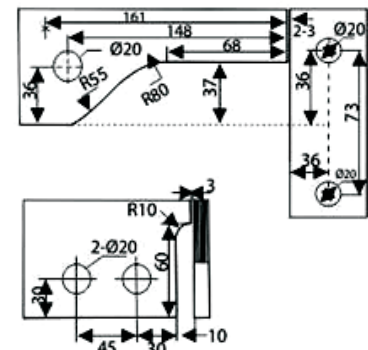
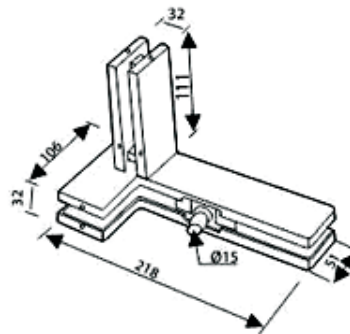


Glass Preparation

Features:

- Left handed Fin
- Handing policy to be determined by looking from inside of the structure
- With SS 304 cover
- Base Material Casting :- Aluminium Alloy
- Suitable Glass thickness 10mm / 12mm
- Finish :- SSS / PSS

NPF - 908 L Big "L" Patch with Pivot & Fin - Left



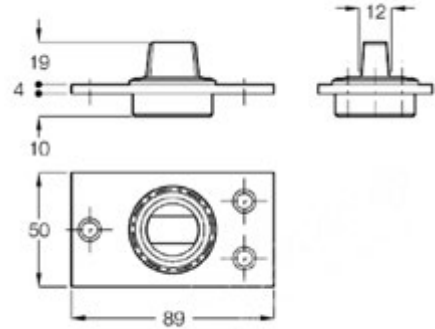
Glass Preparation

Features:

- Right handed Fin.
- Handing policy to be determined by looking from inside of the structure.
- With SS 304 cover.
- Base Material Casting :- Aluminium Alloy.
- Suitable Glass thickness 10mm / 12mm.
- Finish :- SSS / PSS

NPF - 908 R Big "L" Patch with Pivot & Fin - Right

GLASS DOOR FITTING - PATCH FITTING



Features:

- Material :- SS - 304
- Finish :- SSS

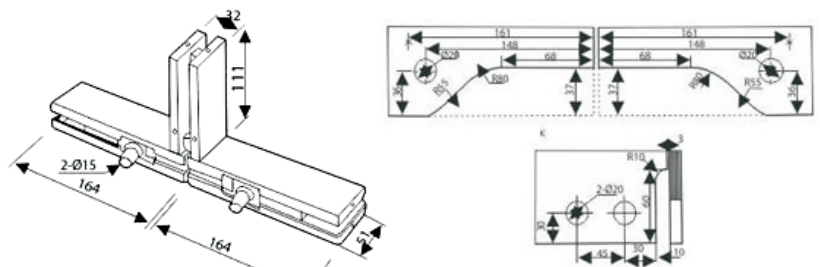
NPF - 909 Bottom Pivot



Features:

- Pivot held in overhead structure
- Material :- S.S. 304
- Finish :- SSS

NPF - 910 Top Pivot



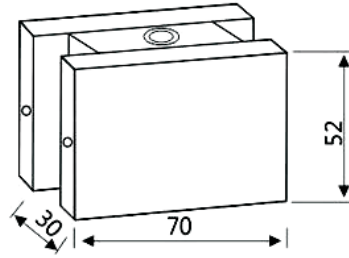
Glass Preparation

Features:

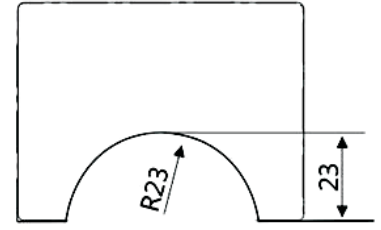
- Connecting fin with the over panel.
- With S.S. 304 cover
- Base Material Casting :- Aluminum Alloy
- Finish :- SSS

NPF - 911 Over Panel Patch with Fin for Back to Back Doors

GLASS DOOR FITTING - PATCH FITTING



Side connector

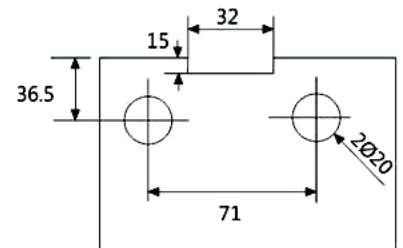
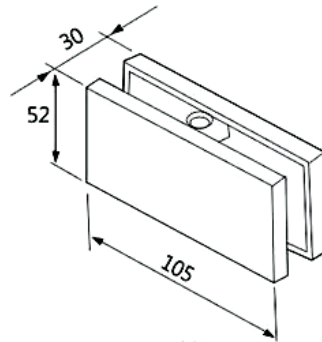


Glass Preparation

Features:

- With S.S. 304 cover
- Base Material Casting:-Aluminium Alloy
- Suitable Glass thickness 10mm / 12mm.
- Finish: SSS / PSS

NPF - 912 Single Glass Connector Patch

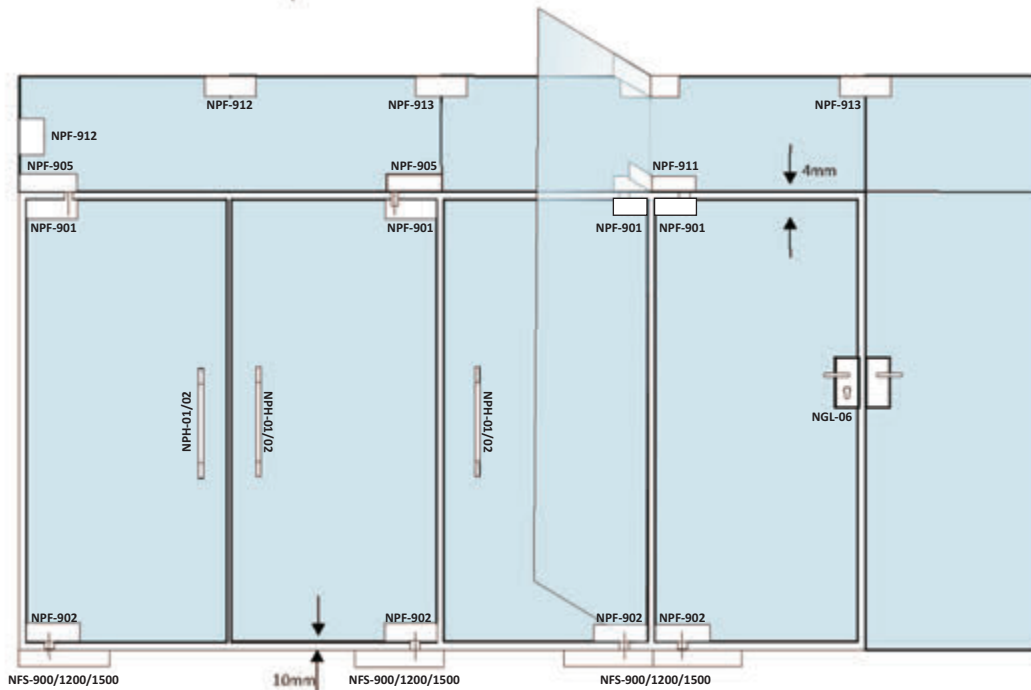
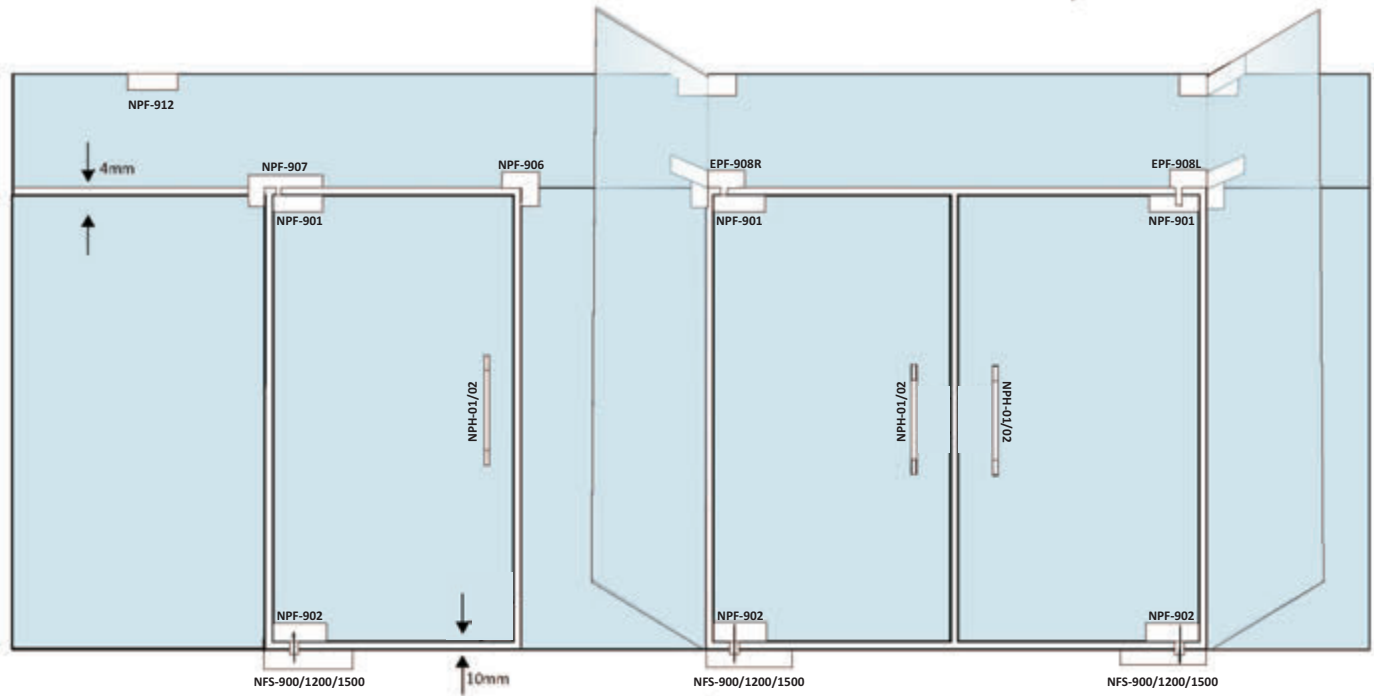
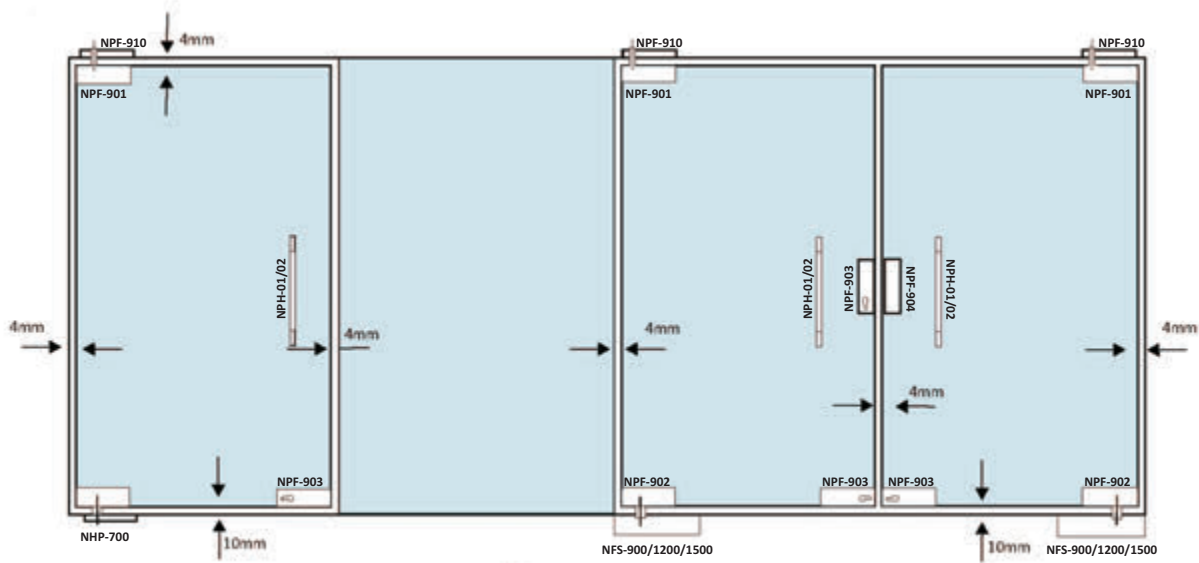


Glass Preparation

Features:

- With S.S. 304 cover
- Base Material Casting:-Aluminium Alloy
- Suitable Glass thickness 10mm / 12mm.
- Finish: SSS / PSS

NPF - 913 Glass to Glass Connector Patch



Glass Architectural Hardware

The technical presentations and dimensions in the illustrations and drawings are non binding. We reserve the right to make changes to specifications at any time. We do not accept any responsibility for any errors which may occur in the production of this catalogue. All sizes in millimeter (mm).

The products in this list are the ones that are currently in the NSA product range. Since our product range is updated frequently, please feel free contact us if you cannot find any particular information.

The printed colours indicating the surface finishes are not 100% true, but do provide a useful guide.

Pictures may show designs which are different to the scope of delivery.



INNOVATION WITH INTEGRITY

Marketed by :

N. S. Enterprises

C-8, Room No. 4/5, Opp. Ram Mandir,
Bhadran Nagar, S. V. Road,
Malad (W), Mumbai - 400 064.

Tel. : +91 22 2807 6175

Email : ns_enterprise@yahoo.co.in

Website: <https://nsaenterprise.com> | <https://www.indiamart.com/n-senterprisesmumbai/>