

ISO 9001:2015
CERTIFIED COMPANY



Glass Architectural Solutions

COMPANY PROFILE

Innovation with Integrity

NSA has been a dynamic force in the hardware industry since 2005. This has been possible because of our vision i.e. to innovate with integrity. We have a group of experienced and reliable team members who have been a catalyst for our excellence. We do not believe in solitary progress but we intend to create a better looking world which develops with us.

We operate in the field of architectural solutions but we specialize in glass fittings and related commodities. We offer a plethora of products like Shower Hinges, Patch Fittings, Spider Fitting, Glass Connectors, Glass Sealing Profiles, Glass Sliding Fittings, Glass Sliding Door Handles with Locks etc.

Our utmost priority is to provide excellent quality, durability and strength. We consistently deliver quality hardware products and surpass industry benchmarks. We supply domestic as well as international products.

Our vision, to innovate with integrity, has been our driving force because we support imagination and fulfilling dreams in our firm. We believe in doing ethical business and do not support inconsistencies in quality and support to our consumers.

Our mission is to deliver the best quality products at the best available price and become a major market player all along while building a better looking world.

Shower Fittings



Page 02

Glass Door Fitting



Page 17

Floor Spring & Hydraulic Patch



Page 24

Glass Sliding Fitting



Page 27

Spider Fitting



Page 35

Canopy Fitting



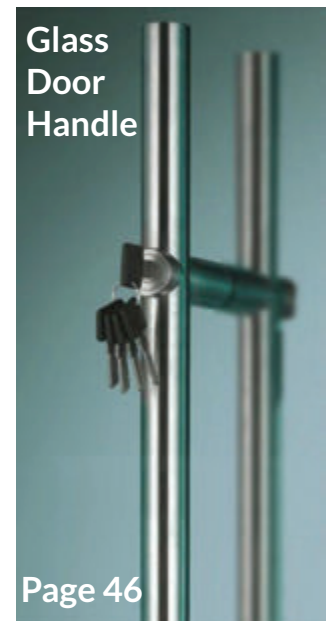
Page 42

Glass Door Lock

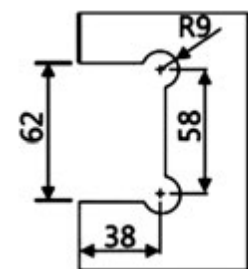
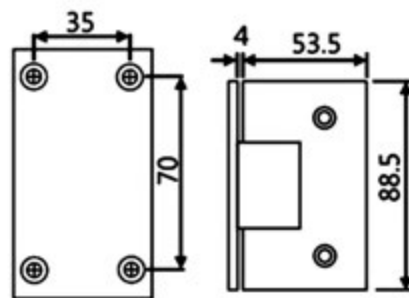


Page 43

Glass Door Handle



Page 46

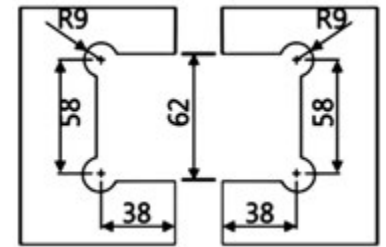
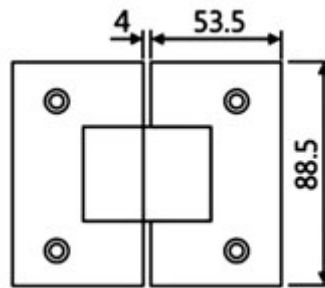


Glass cut-out top and bottom

Features:

- Door width should not exceed 800 mm.
- Door weight should not exceed 45 Kg.
- Suitable Glass thickness 8mm / 10mm.
- Material :- SS - 304.
- Finish :- PSS/SSS

SHOWER FITTINGS - SHOWER HINGE - S.S. 304

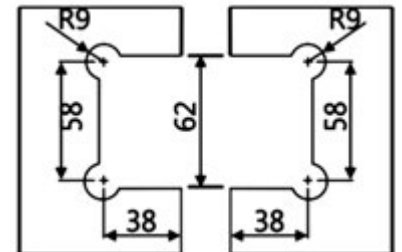
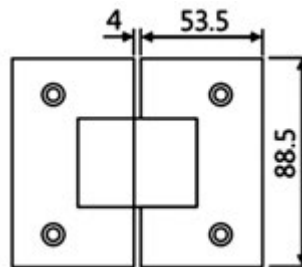


Glass cut-out top and bottom

Features:

- Door width should not exceed 800 mm.
- Door weight should not exceed 45 Kg.
- Suitable Glass thickness 8mm / 10mm.
- Material :- SS - 304.
- Finish :- PSS/SSS

NSH - 202 Glass to Glass Hinge 180°

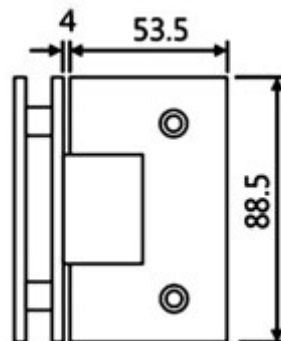


Glass cut-out top and bottom

Features:

- Door width should not exceed 800 mm.
- Door weight should not exceed 45 Kg.
- Suitable Glass thickness 8mm / 10mm.
- Material :- SS - 304.
- Finish :- PSS/SSS

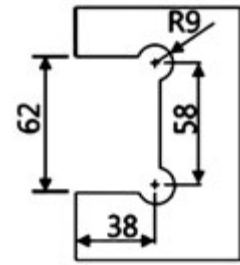
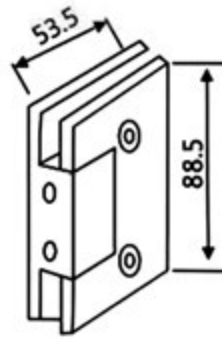
NSH - 203 Glass to Glass Hinge 135°



Features:

- Door width should not exceed 800 mm.
- Door weight should not exceed 45 Kg.
- Suitable Glass thickness 8mm / 10mm.
- Material :- SS - 304.
- Finish :- PSS/SSS

NSH - 204 Glass to Glass Hinge 90°

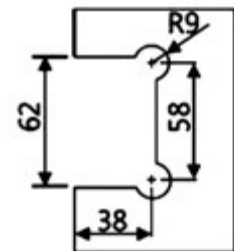
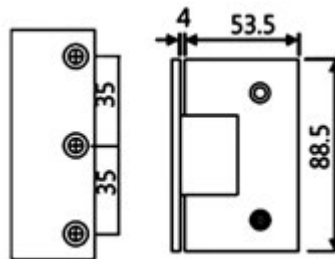


Glass cut-out top and bottom

Features:

- Suitable Glass thickness 8mm / 10mm.
- Material :- SS - 304.
- Finish :- PSS/SSS

NSH - 205 Fixed Hinge

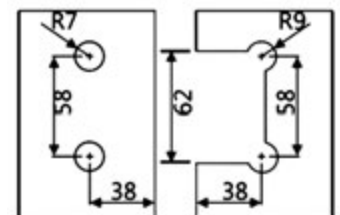
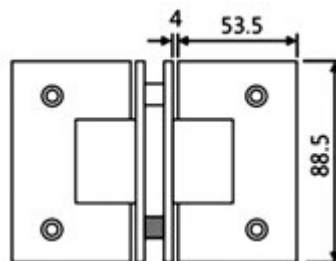


Glass cut-out top and bottom

Features:

- Door width should not exceed 800 mm.
- Door weight should not exceed 45 Kg.
- Suitable Glass thickness 8mm / 10mm.
- Material :- SS - 304.
- Finish :- PSS/SSS

NSH - 206 Wall to Glass Hinge - One Side



Glass cut-out top and bottom

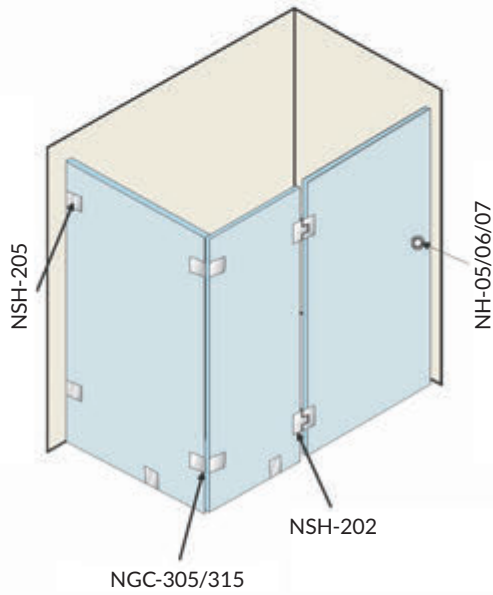
Features:

- Door width should not exceed 800 mm.
- Door weight should not exceed 45 Kg.
- Suitable Glass thickness 8mm / 10mm.
- Material :- S.S. - 304.
- Finish :- PSS / SSS

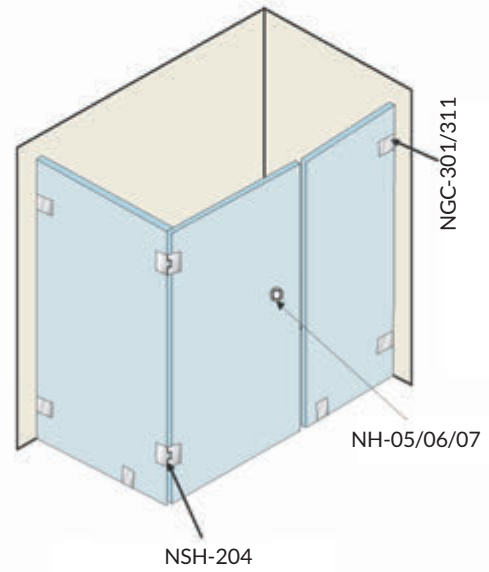
NSH - 207 Glass to Glass "T" Hinge

SHOWER FITTINGS

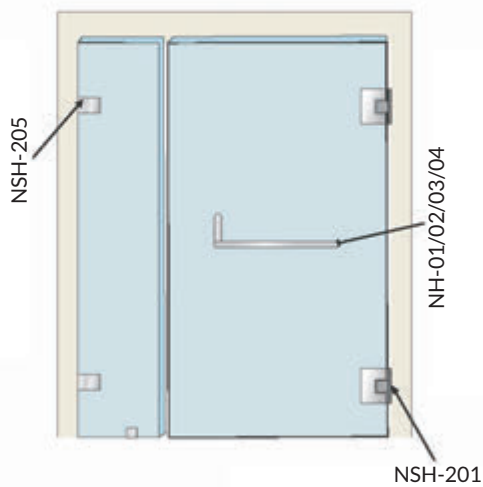
180° GLASS / GLASS LAYOUT



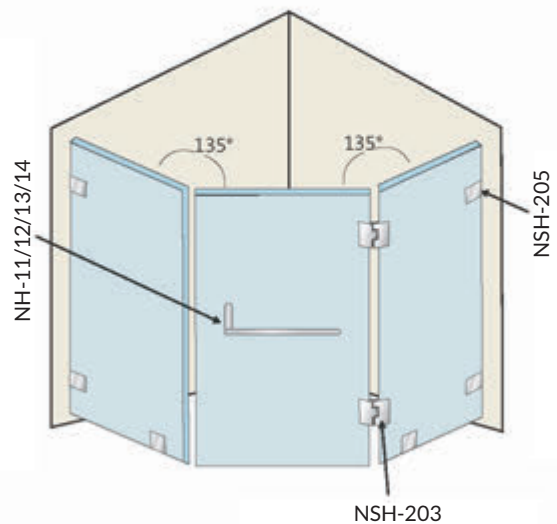
90° GLASS / GLASS LAYOUT



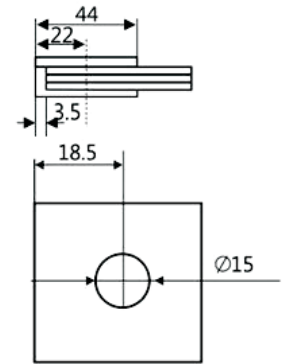
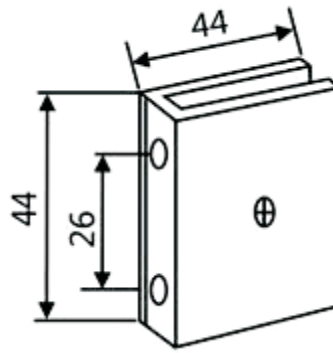
180° WALL / GLASS LAYOUT



135° GLASS / GLASS LAYOUT



SHOWER FITTINGS - GLASS CONNECTOR - CASTING - S.S. 304

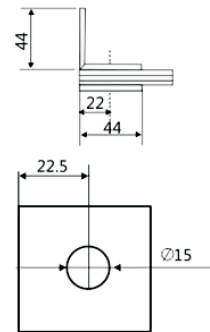
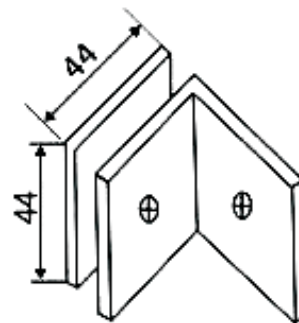


Glass Preparation

Features:

- Suitable Glass thickness 8mm / 10mm / 12mm.
- Material :- Casting SS - 304.
- Finish :- PSS/SSS

NGC - 301 Fix Connector

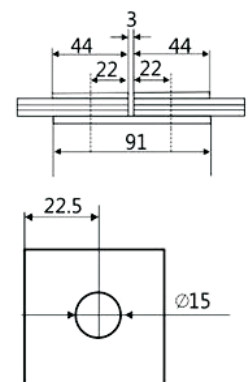
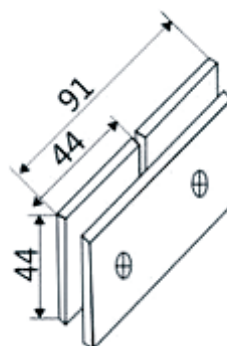


Glass Preparation

Features:

- Suitable Glass thickness 8mm / 10mm / 12mm.
- Material :-Casting SS - 304.
- Finish :- PSS/SSS

NGC - 302 Wall to Glass Connector - 90°



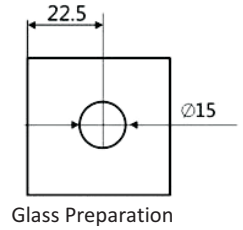
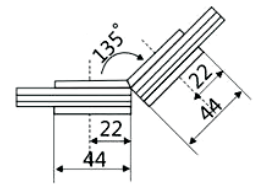
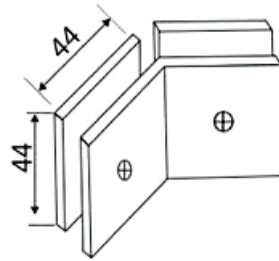
Glass Preparation

Features:

- Suitable Glass thickness 8mm / 10mm / 12mm.
- Material :- Casting SS - 304.
- Finish :- PSS/SSS

NGC - 303 Glass to Glass Connector - 180°

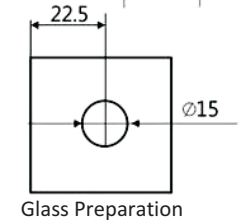
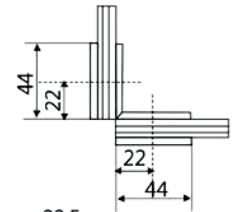
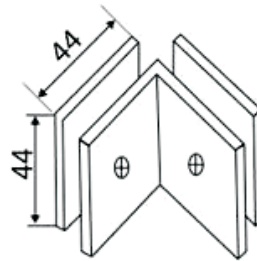
SHOWER FITTINGS - GLASS CONNECTOR - CASTING - S.S. 304



NGC - 304 Glass to Glass Connector - 135°

Features:

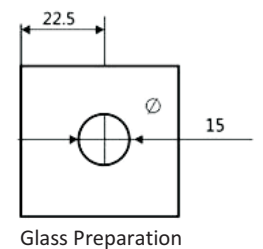
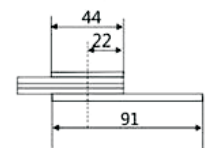
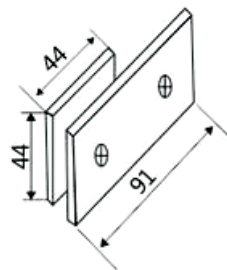
- Suitable Glass thickness 8mm / 10mm / 12mm.
- Material :- Casting SS - 304.
- Finish :- PSS/SSS



NGC - 305 Glass to Glass Connector - 90°

Features:

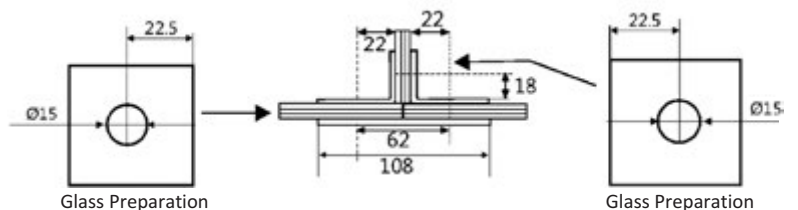
- Suitable Glass thickness 8mm / 10mm / 12mm.
- Material :- Casting SS - 304.
- Finish :- PSS/SSS



NGC - 306 Wall to Glass Connector - 180°

Features:

- Suitable Glass thickness 8mm / 10mm / 12mm.
- Material :- Casting S.S. - 304.
- Finish :- PSS / SSS

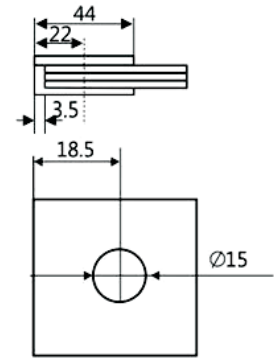
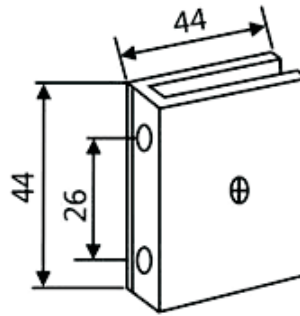


Features:

- Suitable Glass thickness 8mm / 10mm / 12mm.
- Material :- Casting S.S. - 304.
- Finish :- PSS/SSS

NGC - 307 Glass to Glass "T" Connector

SHOWER FITTINGS - GLASS CONNECTOR - SHEET METAL - S.S. 304

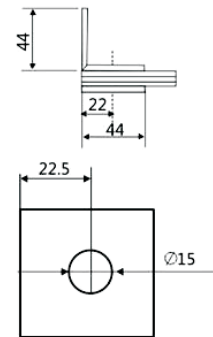
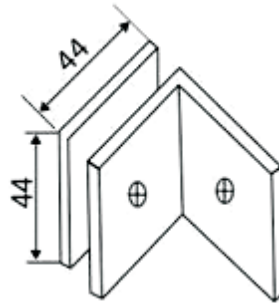


Glass Preparation

Features:

- Suitable Glass thickness 8mm / 10mm / 12mm.
- Material :- Sheet Metal SS - 304.
- Finish :- PSS/SSS

NGC - 311 Fix Connector

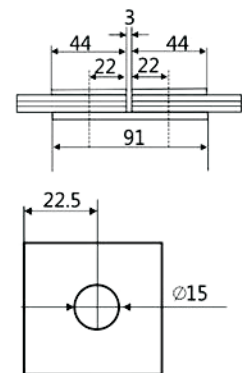
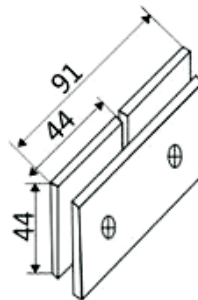


Glass Preparation

Features:

- Suitable Glass thickness 8mm / 10mm / 12mm.
- Material :- Sheet Metal SS - 304.
- Finish :- PSS/SSS

NGC - 312 Wall to Glass Connector - 90°



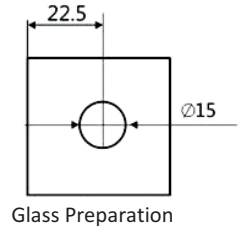
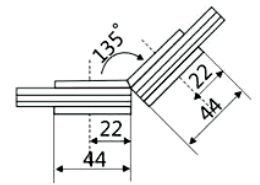
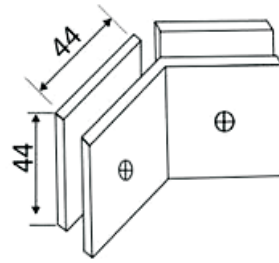
Glass Preparation

Features:

- Suitable Glass thickness 8mm / 10mm / 12mm.
- Material :- Sheet Metal SS - 304.
- Finish :- PSS/SSS

NGC - 313 Glass to Glass Connector - 180°

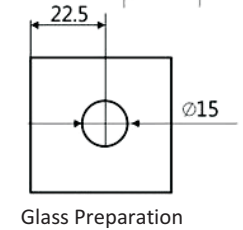
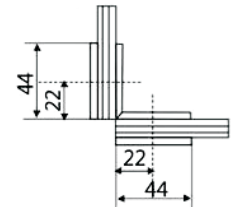
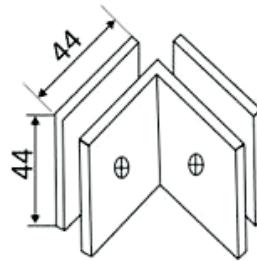
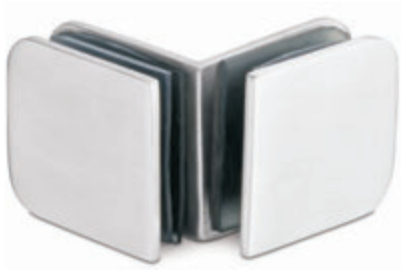
SHOWER FITTINGS - GLASS CONNECTOR - SHEET METAL - S.S. 304



NGC - 314 Glass to Glass Connector - 135°

Features:

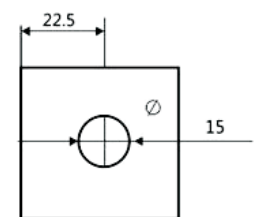
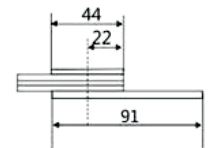
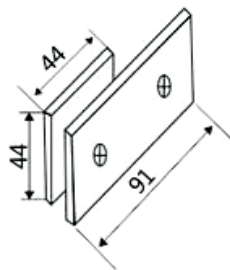
- Suitable Glass thickness 8mm / 10mm / 12mm.
- Material :- Sheet Metal SS - 304.
- Finish :- PSS/SSS



NGC - 315 Glass to Glass Connector - 90°

Features:

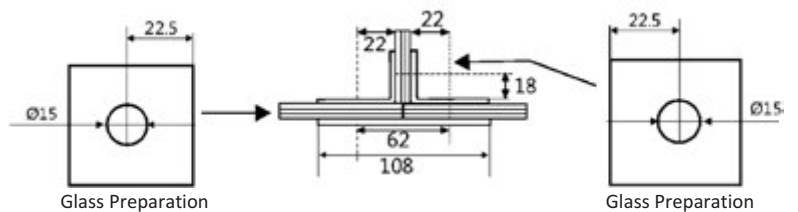
- Suitable Glass thickness 8mm / 10mm / 12mm.
- Material :- Sheet Metal SS - 304.
- Finish :- PSS/SSS



NGC - 316 Wall to Glass Connector - 180°

Features:

- Suitable Glass thickness 8mm / 10mm / 12mm.
- Material :- Sheet Metal SS - 304.
- Finish :- PSS/SSS

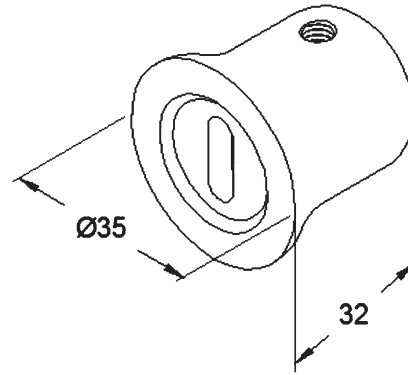


Features:

- Suitable Glass thickness 8mm / 10mm / 12mm.
- Material :- Sheet Metal SS - 304.
- Finish :- PSS/SSS

NGC - 317 Glass to Glass "T" Connector

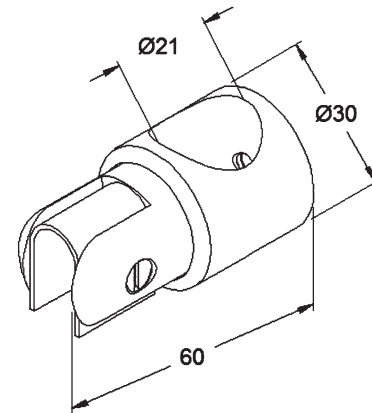
SHOWER FITTINGS - SHOWER HEADER - BRASS



Features:

- For 19mm Diameter Tube
- Material :- BRASS.
- Finish :- BN / CP

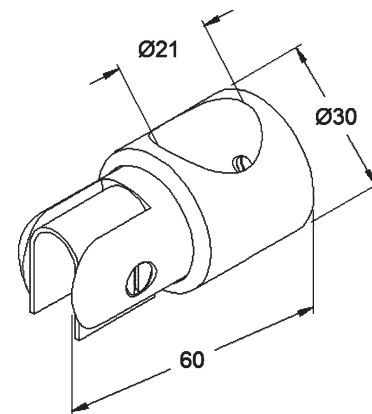
NSH - 401 Wall Socket



Features:

- For 19mm Diameter Tube
- Material :- BRASS.
- Finish :- BN / CP

NSH - 402 Rod to Glass Clamp

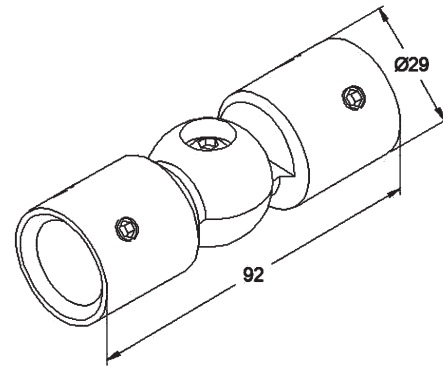


Features:

- For 19mm Diameter Tube
- Material :- BRASS.
- Finish :- BN / CP

NSH - 403 Rod to Glass End Clamp

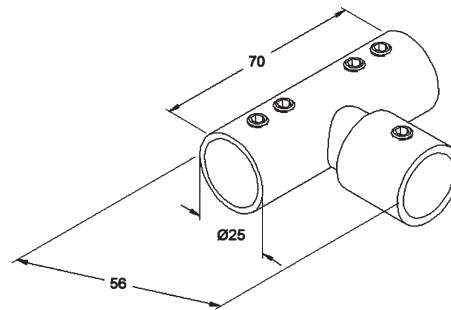
SHOWER FITTINGS - SHOWER HEADER - BRASS



Features:

- For 19mm Diameter Tube
- Adjustable at any angle.
- Material :- BRASS.
- Finish :- BN / CP

NSH - 404 Rod to Rod Connector



Features:

- For 19mm Diameter Tube
- Material :- BRASS
- Finish :- BN/CP

NSH - 405 Rod to Rod "T" Connector



Features:

- 19mm outer diameter pipe
- Available Length 2mtr.
- Stainless Steel Grade 304
- Finish: PSS / SSS

NSH - 406 Reinforcing Rod 19 mm Diameter Reinforcing Pipe

**Features:**

- Grub screws to hold the pipe
- Material :- S.S. - 304.
- Finish :- PSS / SSS

NSH - 411 Wall Socket for Rectangle Track**Features:**

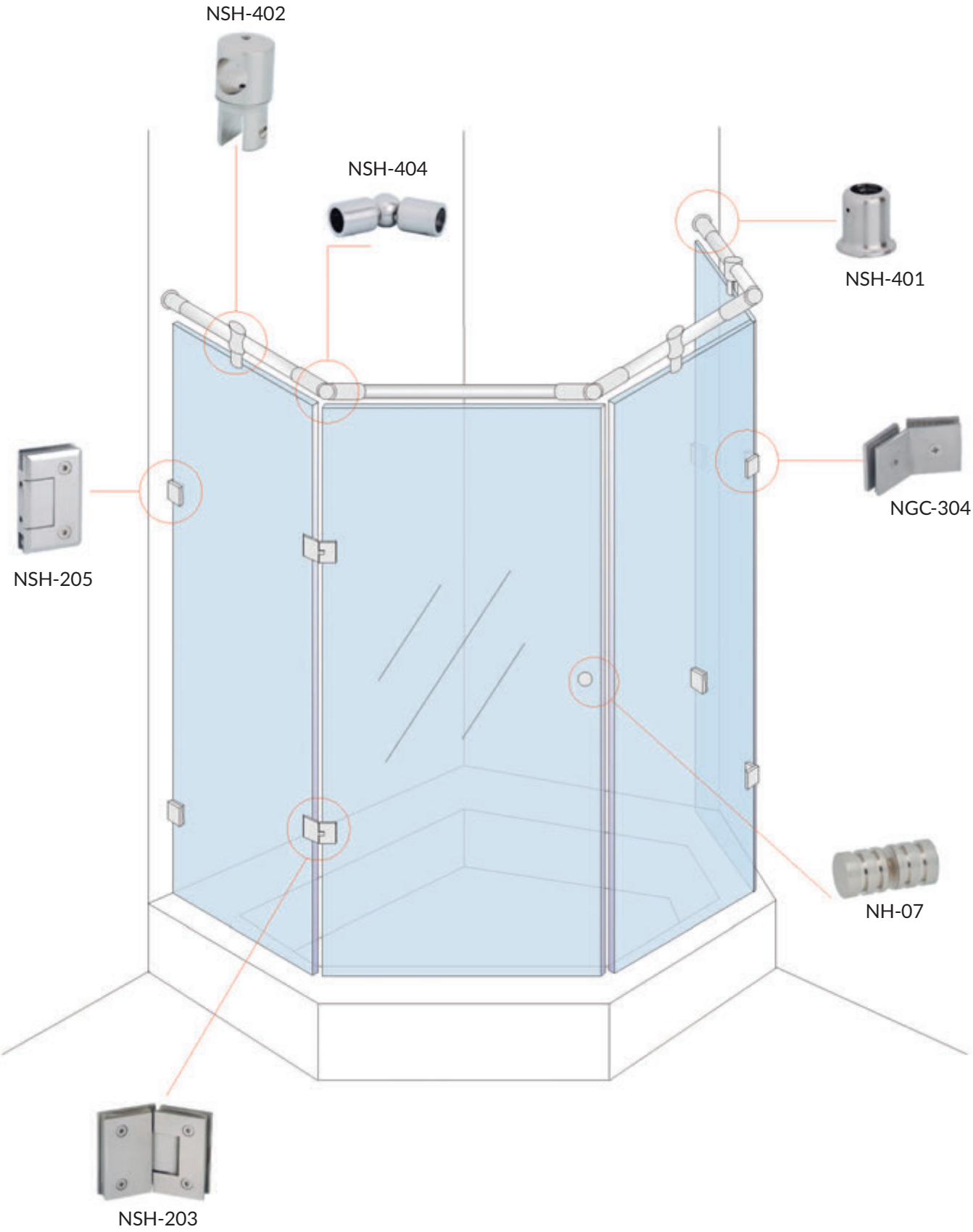
- Grub screws to hold the pipe & glass
- Material :- S.S. - 304.
- Finish :- PSS / SSS

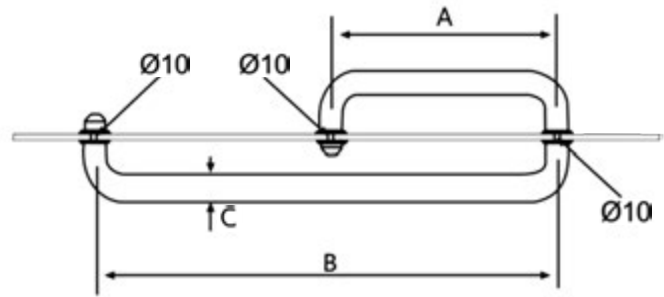
NSH - 412 Rod to Glass Clamp for Rectangle Track**Features:**

- Available length 2 mtrs.
- Material :- SS - 304.
- Finish :- PSS/SSS

NSH - 416 Reinforcing Rectangle Track

SHOWER FITTINGS



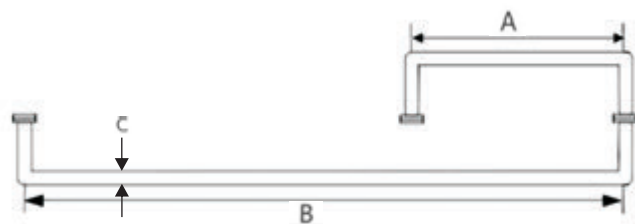


Product Code	Finish	Size		
		A	B	C
NH – 01	SSS / PSS	150mm	400mm	19mm
NH – 02	SSS / PSS	150mm	450mm	19mm
NH – 03	SSS / PSS	200mm	400mm	19mm
NH – 04	SSS / PSS	200mm	450mm	19mm

Features:

- Suitable Glass thickness 8mm / 10mm / 12mm.
- Material :- SS - 304.
- Finish :- PSS/SSS

NH - 01 / 02 / 03 / 04 Towel Bar with Handle - Round



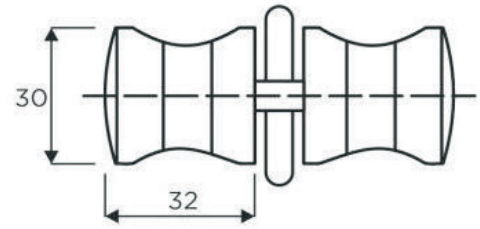
Product Code	Finish	Size		
		A	B	C
NH – 11	SSS / PSS	150mm	400mm	20mm
NH – 12	SSS / PSS	150mm	450mm	20mm
NH – 13	SSS / PSS	200mm	400mm	20mm
NH – 14	SSS / PSS	200mm	450mm	20mm

Features:

- Suitable Glass thickness 8mm / 10mm / 12mm.
- Material :- SS - 304.
- Finish :- PSS/SSS

NH - 11 / 12 / 13 / 14 Towel Bar with Handle - Square

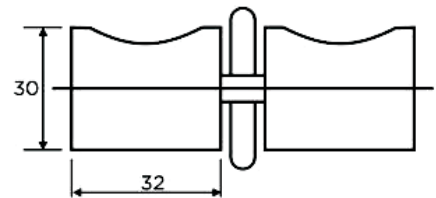
SHOWER FITTINGS - DOOR KNOB- S.S. 304



Features:

- Material :- SS - 304.
- Finish :- PSS/SSS

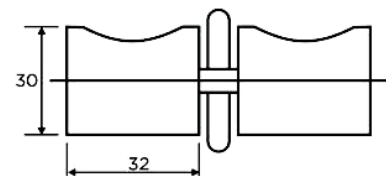
NH - 05 Glass Door Knob



Features:

- Material :- SS - 304.
- Finish :- PSS/SSS

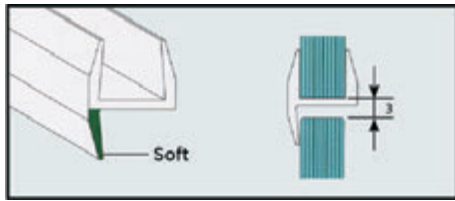
NH - 06 Glass Door Knob



Features:

- Material :- SS - 304.
- Finish :- PSS/SSS

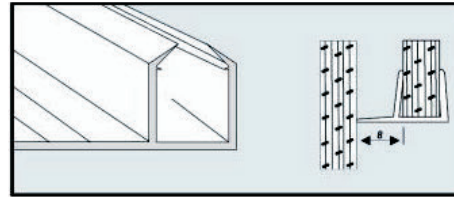
NH - 07 Glass Door Knob



NGP - 11 Central 180° Weather Seal (Soft)

Features:

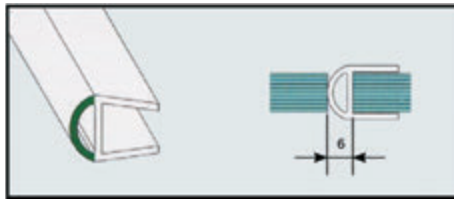
- Used between Fix Panel & Door Panel.
- Separate Product for 8, 10 and 12mm Glass.



NGP - 15 Offset Lip Seal

Features:

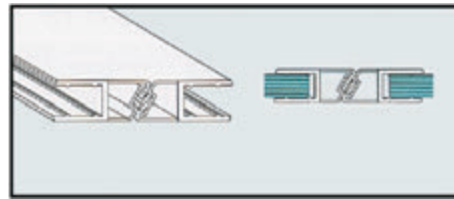
- Separate Product for 8, 10, and 12mm Glass.



NGP - 12 Central 180° Weather Seal

Features:

- Used between Fix Panel / Wall & Door Panel.
- Separate Product for 8, 10 and 12mm Glass.



NGP - 16 White Magnetic Seal for Glass to Glass 180°

Features:

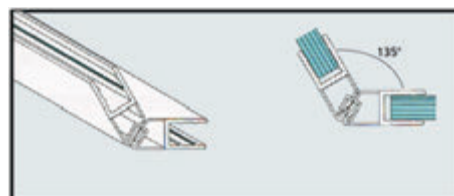
- Separate Product for 8, 10, and 12mm Glass.
- Supplied in Pairs.



NGP - 13 Wall Seal

Features:

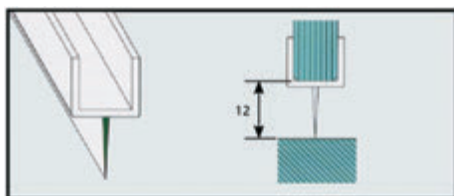
- Transparent with Soft Lip.
- Separate Product for 8, 10 and 12mm Glass.



NGP - 17 White Magnetic Seal for Glass to Glass 135°

Features:

- Separate Product for 8, 10, and 12mm Glass.
- Supplied in Pairs.



NGP - 14 Central Seal

Features:

- Transparent with Soft Lip.
- For Sealing Double Action Door and Wall.
- Separate Product for 8, 10 and 12mm Glass.



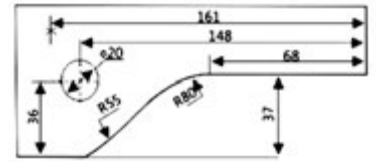
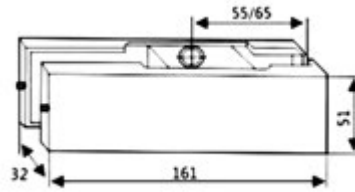
NGP - 18 White Magnetic Seal for Glass to Glass 90°

Features:

- Separate Product for 8, 10, and 12mm Glass.
- Supplied in Pairs.



GLASS DOOR FITTING - PATCH FITTING

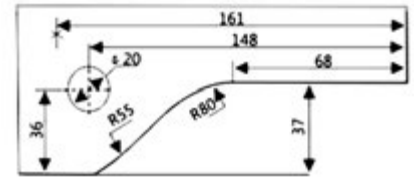
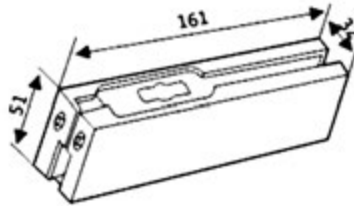


Glass Preparation

Features:

- With SS 304 cover
- Base Material Casting :- Aluminium alloy
- Suitable Glass thickness 10mm / 12mm.
- Finish :- SSS / PSS

NPF - 901 Top Patch

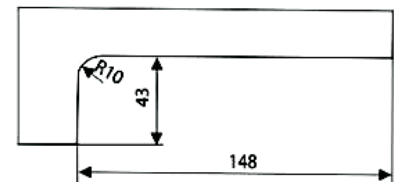
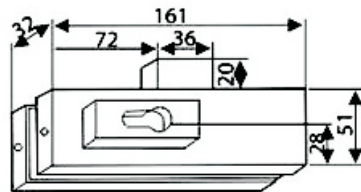


Glass Preparation

Features:

- With SS 304 cover
- Base Material Casting :- Aluminium Alloy
- Suitable Glass thickness 10mm / 12mm.
- Finish :- SSS / PSS

NPF - 902 Bottom Patch



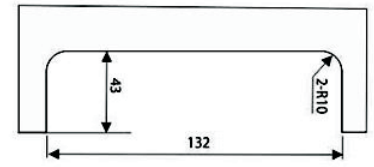
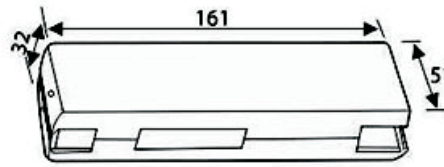
Glass Preparation

Features:

- With SS 304 cover
- Base Material Casting :- Aluminium Alloy
- Suitable Glass thickness 10mm / 12mm.
- Finish :- SSS / PSS

NPF - 903 Bottom Patch Lock

GLASS DOOR FITTING - PATCH FITTING

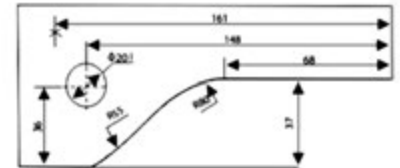
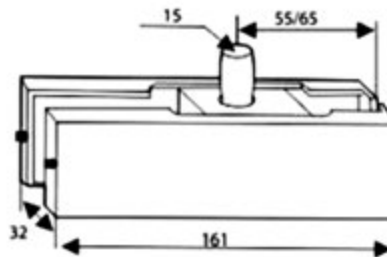


Glass Preparation

Features:

- With SS 304 cover
- Base Material Casting :- Aluminium Alloy
- Suitable Glass thickness 10mm / 12mm
- Finish :- SSS / PSS

NPF - 904 Strike Box For NPF - 903

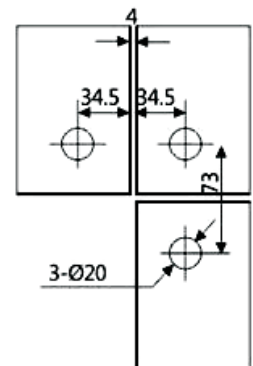
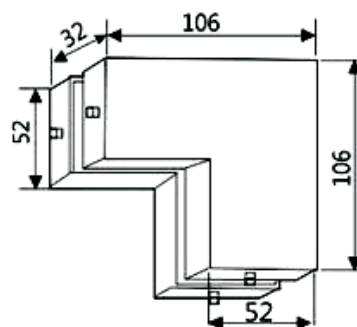
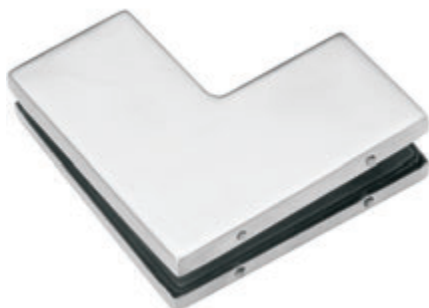


Glass Preparation

Features:

- With SS 304 cover
- Base Material Casting :- Aluminium Alloy
- Suitable Glass thickness 10mm / 12mm
- Finish :- SSS / PSS

NPF - 905 Over Panel Patch with Pivot



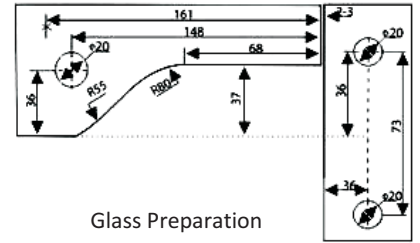
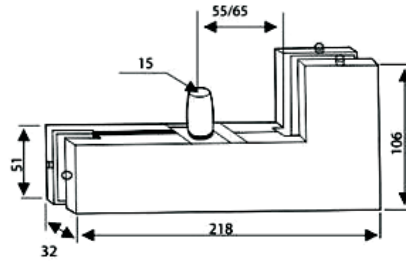
Glass Preparation

Features:

- With SS 304 cover
- Base Material Casting :- Aluminium Alloy
- Suitable Glass thickness 10mm / 12mm
- Finish :- SSS / PSS

NPF - 906 Small "L" Patch

GLASS DOOR FITTING - PATCH FITTING

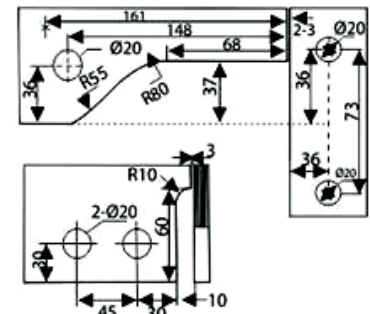
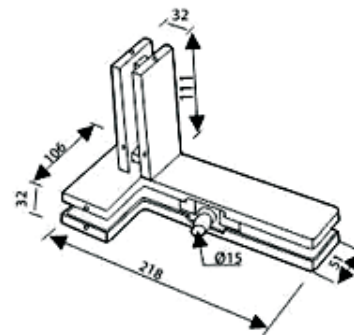


Glass Preparation

Features:

- With SS 304 cover
- Base Material Casting :- Aluminium Alloy
- Suitable Glass thickness 10mm / 12mm
- Finish :- SSS / PSS

NPF - 907 Big "L" Patch with Pivot

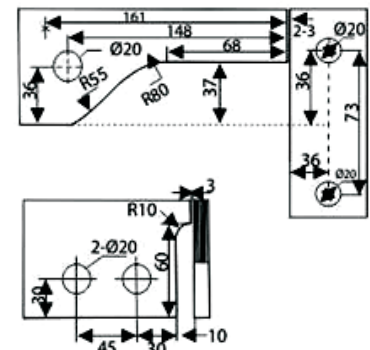
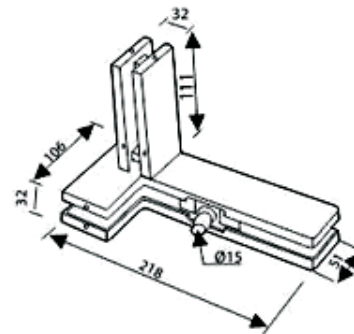


Glass Preparation

Features:

- Left handed Fin
- Handing policy to be determined by looking from inside of the structure
- With SS 304 cover
- Base Material Casting :- Aluminium Alloy
- Suitable Glass thickness 10mm / 12mm
- Finish :- SSS / PSS

NPF - 908 L Big "L" Patch with Pivot & Fin - Left



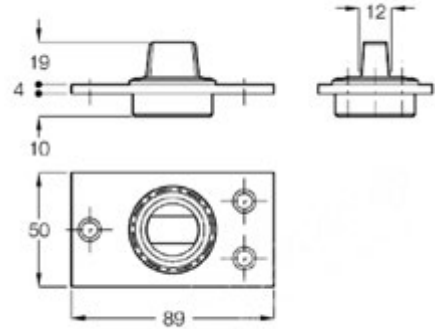
Glass Preparation

Features:

- Right handed Fin.
- Handing policy to be determined by looking from inside of the structure.
- With SS 304 cover.
- Base Material Casting :- Aluminium Alloy.
- Suitable Glass thickness 10mm / 12mm.
- Finish :- SSS / PSS

NPF - 908 R Big "L" Patch with Pivot & Fin - Right

GLASS DOOR FITTING - PATCH FITTING



Features:

- Material :- SS - 304
- Finish :- SSS

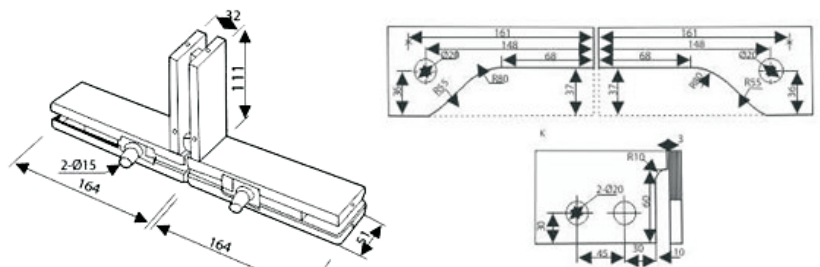
NPF - 909 Bottom Pivot



Features:

- Pivot held in overhead structure
- Material :- S.S. 304
- Finish :- SSS

NPF - 910 Top Pivot



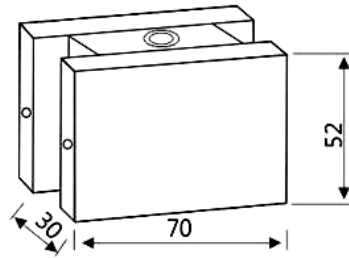
Glass Preparation

Features:

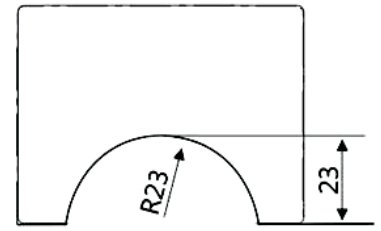
- Connecting fin with the over panel.
- With S.S. 304 cover
- Base Material Casting :- Aluminum Alloy
- Finish :- SSS

NPF - 911 Over Panel Patch with Fin for Back to Back Doors

GLASS DOOR FITTING - PATCH FITTING



Side connector

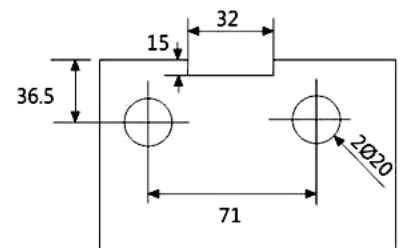
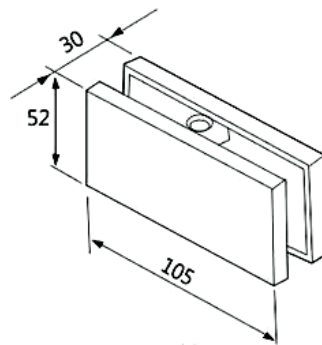


Glass Preparation

Features:

- With S.S. 304 cover
- Base Material Casting:-Aluminium Alloy
- Suitable Glass thickness 10mm / 12mm.
- Finish: SSS / PSS

NPF - 912 Single Glass Connector Patch

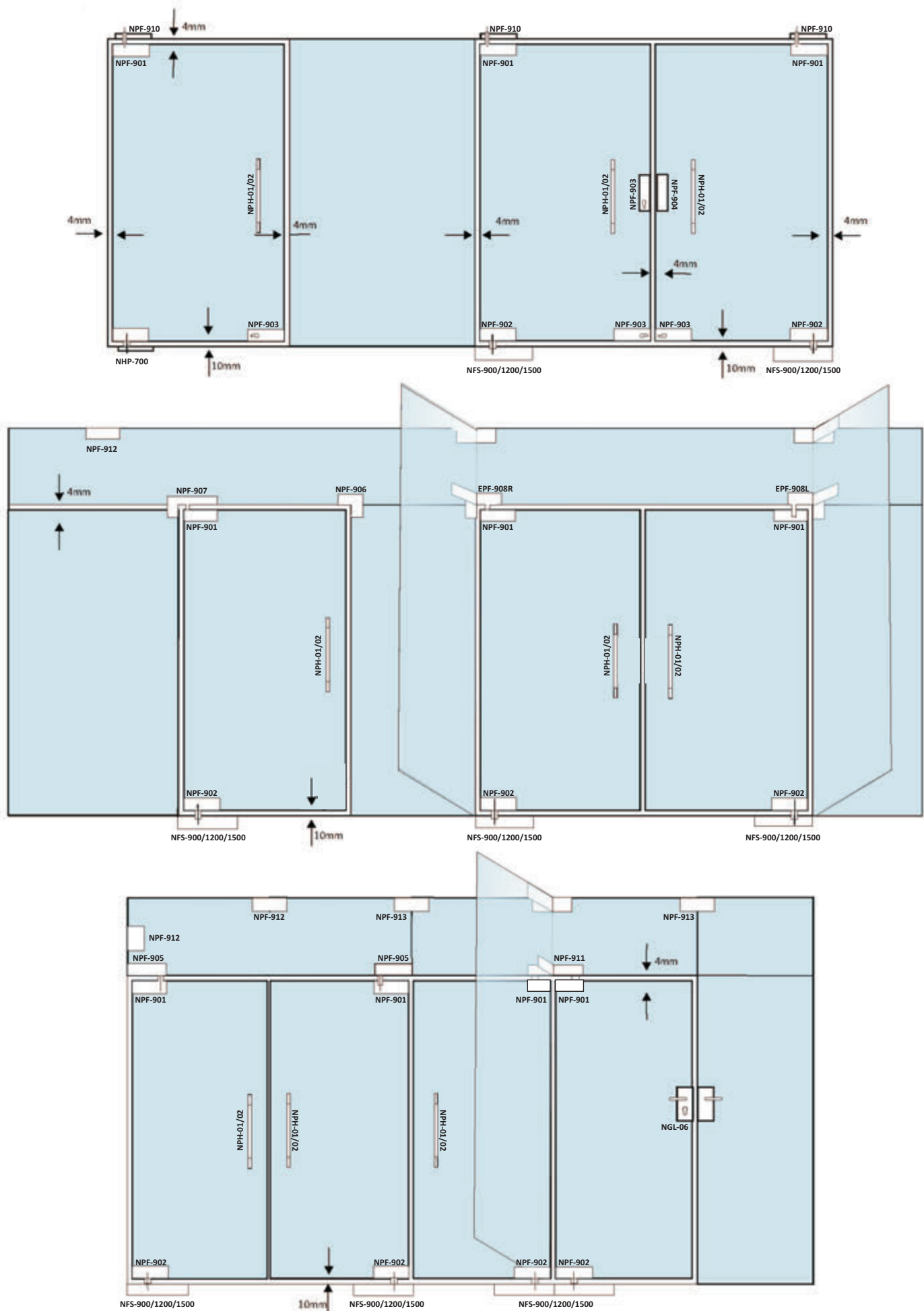


Glass Preparation

Features:

- With S.S. 304 cover
- Base Material Casting:-Aluminium Alloy
- Suitable Glass thickness 10mm / 12mm.
- Finish: SSS / PSS

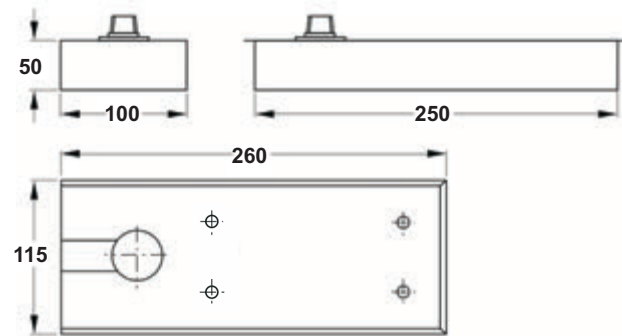
NPF - 913 Glass to Glass Connector Patch



FLOOR SPRING & HYDRAULIC PATCH



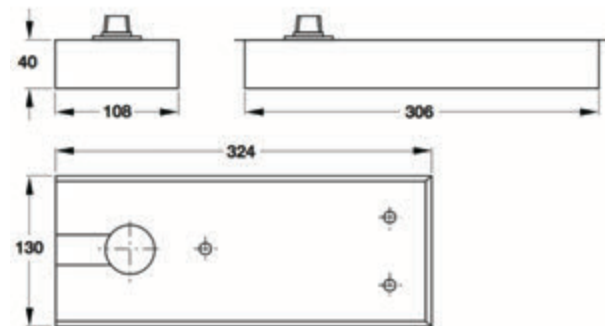
GLASS DOOR FITTING - FLOOR SPRING



Features:

- Maximum Door Weight : 90Kg.
- Maximum Door Width : 900mm
- Maximum Door Height : 2100mm.
- Hold Open (Standard) : 90° hold open
- Finish(Cover) : SSS

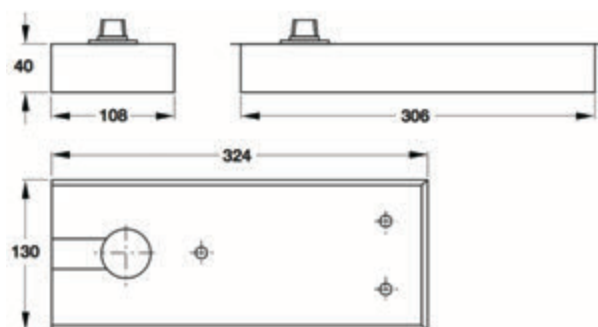
NFS - 900 Single Cylinder Floor Spring for Wood /Aluminum / Glass Door



Features:

- Maximum Door Weight : 120 Kg
- Maximum Door Width : 1050mm
- Maximum Door Height : 2400mm.
- Hold Open (Standard) : 90° hold open
- Finish(Cover) : SSS

NFS - 1200 Double Cylinder Floor Spring for Wood / Aluminum / Glass Door

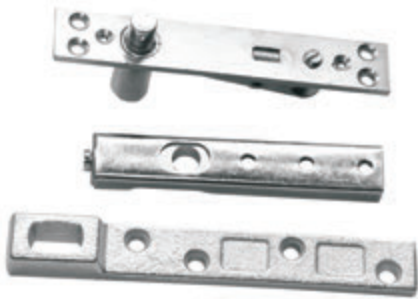


Features:

- Maximum Door Weight : 150 Kg
- Maximum Door Width : 1200mm
- Maximum Door Height : 2600mm.
- Hold Open (Standard) : 90° hold open
- Finish(Cover) : SSS

NFS - 1500 Double Cylinder Floor Spring for Wood / Aluminum / Glass Door

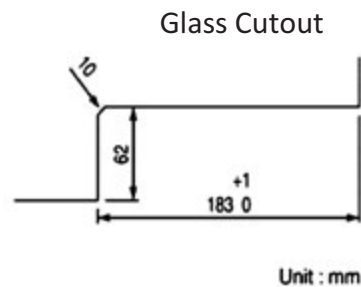
GLASS DOOR FITTING - PATCH FITTING



Features:

- Supplied with Top and Bottom Strap

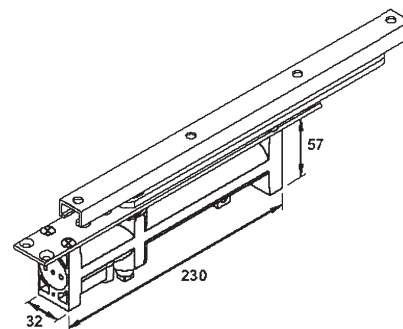
**NFS - ACC - 01
Top & Bottom Pivot for Wooden / Aluminum Door**



Features:

- Floor hinge for double action swing door.
- Installation in the floor
- Hold Open Angle : 90°.
- Suitable Glass Thickness : 8mm / 10mm / 12mm.
- Maximum Door Width : 900mm
- Maximum Door Height : 2100mm.
- Maximum Door Weight : 90kgs.
- Finish : Satin Stainless Steel.

**NHP - 700
Hydraulic Patch for Glass Door**



Features:

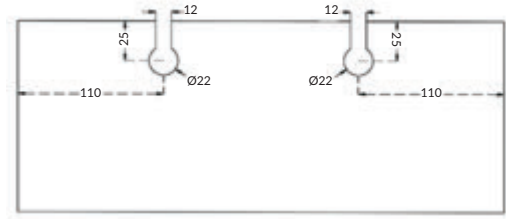
- With slide rail.
- Mounting height only 57 mm.
- Maximum Door Weight - 60 kgs.
- Maximum Door Width - 950 mm.
- Maximum angle of door opening - 120°.
- Finish - Silver

**NCDC - 01
Concealed Door Closer**

GLASS SLIDING FITTING



GLASS SLIDING FITTING - GLASS SLIDING ROLLER

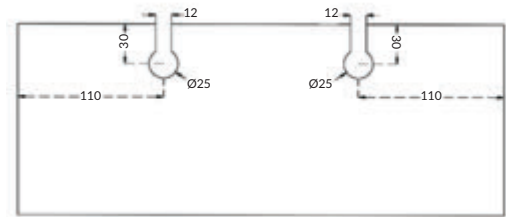


Glass Preparation

Features:

- Trouble Free Operation.
- Maximum Door Width : 900mm
- Maximum Door Height : 2100mm
- Maximum Door Weight : 80kg.
- Base Material Casting : Metal Alloy Body
- Suitable Glass Thickness : 10mm / 12mm.
- Finish :- SSS

NGSF - 01 Roller For Sliding Glass Door

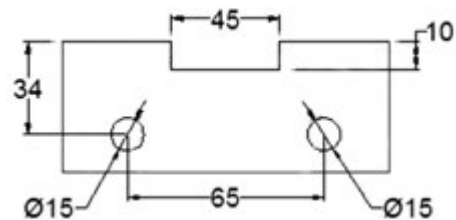


Glass Preparation

Features:

- Trouble Free Operation.
- Maximum Door Width : 1050mm
- Maximum Door Height : 2400mm
- Maximum Door Weight : 100kg.
- Base Material Casting : Metal Alloy Body
- Suitable Glass Thickness : 10mm / 12mm.
- Finish :- SSS

NGSF - 02 Roller For Sliding Glass Door



Glass Preparation

- Trouble Free Operation.
- Maximum Door Width : 1200mm
- Maximum Door Height : 2600mm
- Maximum Door Weight : 120kg.
- Base Material Casting : Metal Alloy Body
- Suitable Glass Thickness : 10mm / 12mm.
- Finish :- SSS

NGSF - 03 Roller For Sliding Glass Door

GLASS SLIDING FITTING



Features:

- Material : Stainless Steel
- Finish :- SSS

NGSF - 11 Wall to Track "L" Connector



NGSF - 12 End Bracket for Fixing Track into Wall



**NGSF - 13 Stopper for Sliding Roller
NGSF - 01 / 02 / 03.**



Features:

- Material : Stainless Steel
- Suitable Glass Thickness : 8mm / 10mm / 12mm.
- Finish :- SSS

NGSF - 14 Floor Guide (Oval)

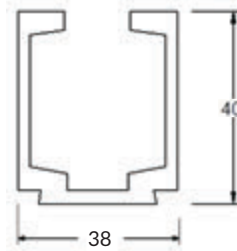


Features:

- Material : Stainless Steel
- Finish :- SSS / PSS

NGSF - 15 Half Round Door Stopper

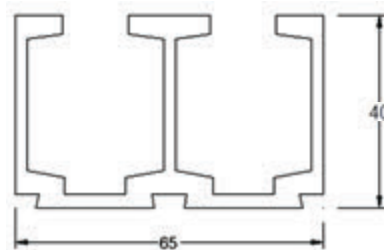
GLASS SLIDING FITTING - ALUMINIUM TRACK



Features:

- Material :- Aluminum
- Size :- 12 Feet
- Finish :- ALU

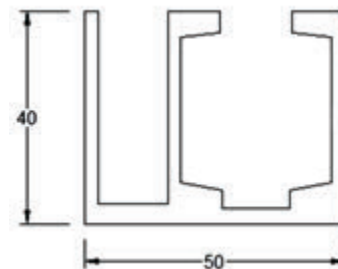
NAT - 01 Single Track for NGSF - 01 / 02 / 03



Features:

- Material :- Aluminum
- Size :- 12 Feet
- Finish :- ALU

NAT - 02 Double Track for NGSF - 01 / 02 / 03



Features:

- Material :- Aluminum
- Size :- 12 Feet
- Finish :- ALU

NAT - 03 Single Track with One Side Fix for NGSF - 01 / 02 / 03

GLASS SLIDING FITTING



GLASS SLIDING FITTING - S.S. 304

Shower Sliding System - NSGSF - 01 (S.S. 304)



NSGSF - 01 A



NSGSF - 01 B



NSGSF - 01 C



NSGSF - 01 D



NSGSF - 01 E



NSDH - 02

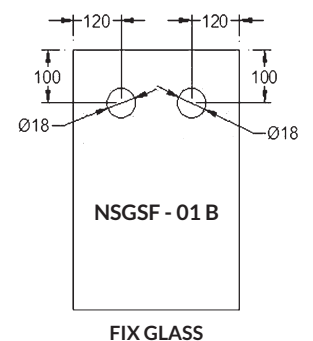
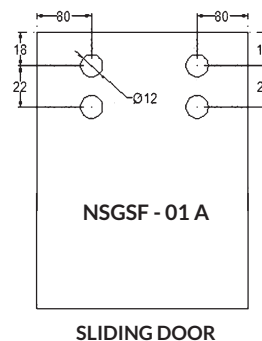


NSH - 416



NSGSF - 01 Set Includes:

- | | | |
|---------------------|----------------------------------|--------|
| NSGSF - 01 A | : Sliding Door Roller - | 2 Pcs. |
| NSGSF - 01 B | : Track to Fix Glass Connector - | 2 Pcs. |
| NSGSF - 01 C | : Wall Socket - | 2 Pcs. |
| NSGSF - 01 D | : Stopper - | 2 Pcs. |
| NSGSF - 01 E | : Floor Guide - | 1 Pc. |
| NSDH - 02 | : Sliding Handle - | 1 Pc. |
| NSH - 416 | : Rectangle Track - 2 Mtrs. - | 1 Pc. |



GLASS PREPARATION

GLASS SLIDING FITTING - S.S. 304

Shower Sliding System - NSGSF - 02 (S.S. 304)



NSGSF - 02 A



NSGSF - 02 B



NSGSF - 02 C



NSGSF - 02 D



NSGSF - 02 E



NSGSF - 02 F



NSDH - 02

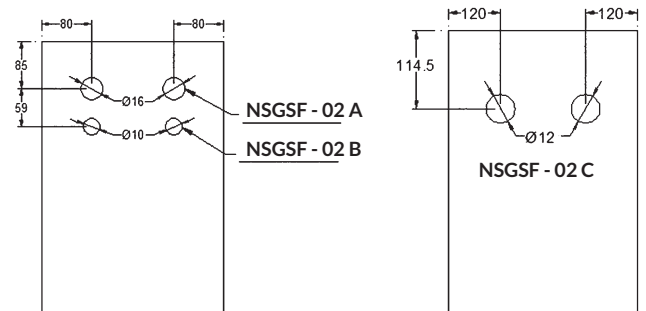


NSH - 416



NSGSF - 02 Set Includes:

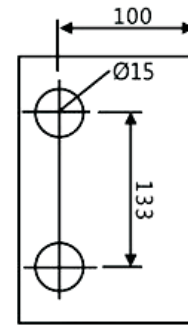
- | | | |
|--------------|----------------------------------|--------|
| NSGSF - 02 A | : Sliding Door Roller - | 2 Pcs. |
| NSGSF - 02 B | : Roller Support - | 2 Pcs. |
| NSGSF - 02 C | : Track to Fix Glass Connector - | 2 Pcs. |
| NSGSF - 02 D | : Wall Socket - | 2 Pcs. |
| NSGSF - 02 E | : Stopper - | 2 Pcs. |
| NSGSF - 02 F | : Floor Guide - | 1 Pc. |
| NSDH - 02 | : Sliding Handle - | 1 Pc. |
| NSH - 416 | : Rectangle Track - 2 Mtrs. - | 1 Pc. |



SLIDING DOOR

FIX GLASS

GLASS PREPARATION

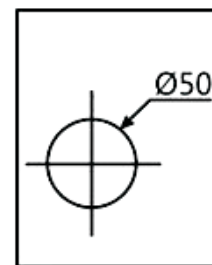


Glass Preparation

Features:

- Material : S.S. 304
- Suitable Glass Thickness : 10mm / 12mm.
- Finish :- SSS / PSS

NSDH - 01 Sliding Door Handle - Rectangle

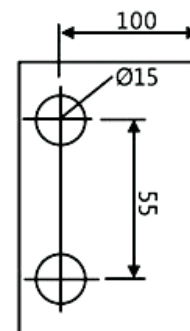


Glass Preparation

Features:

- Material : S.S. 304
- Suitable Glass Thickness : 10mm / 12mm.
- Finish :- SSS / PSS

NSDH - 02 Sliding Door Handle - Round



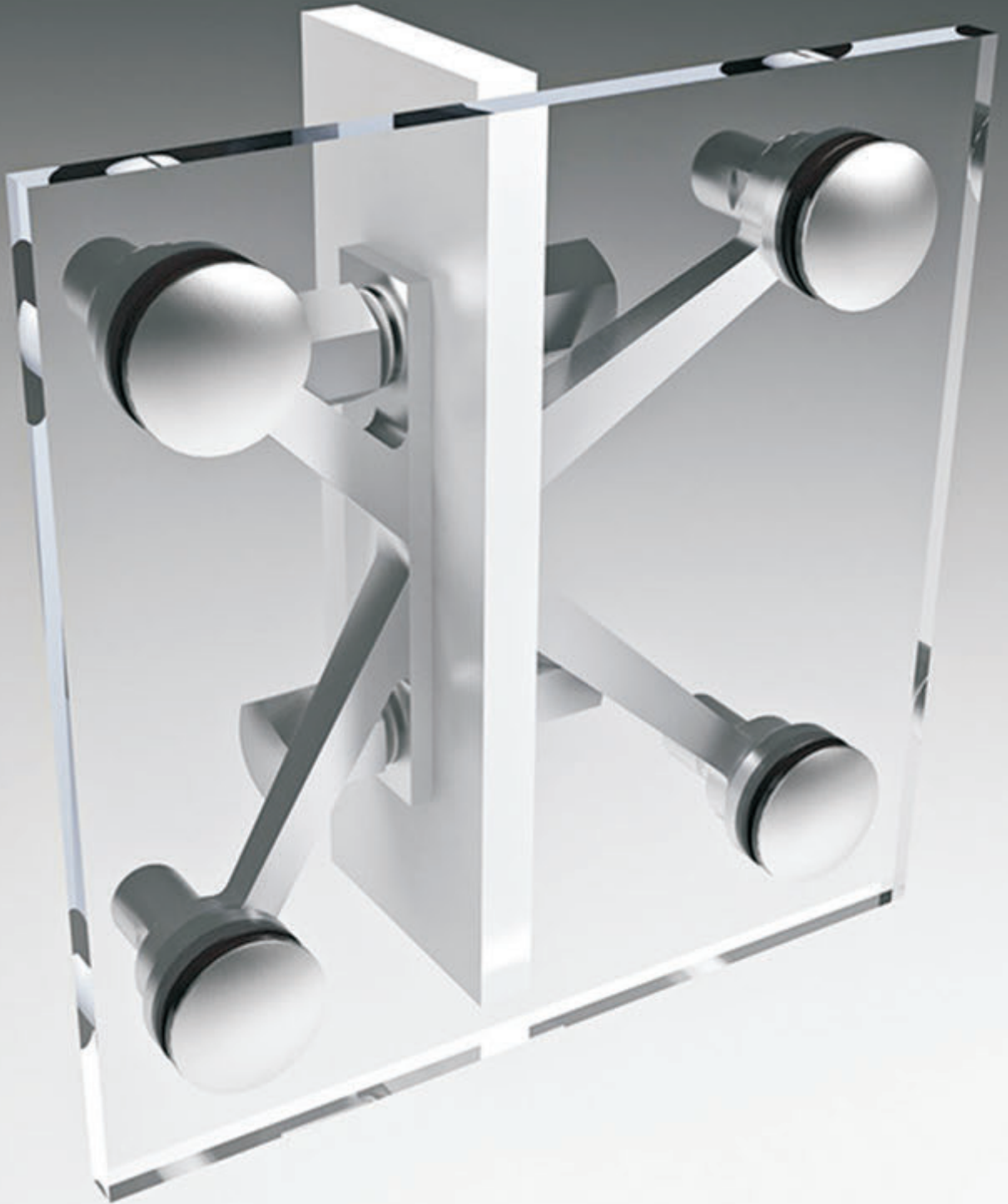
Glass Preparation

Features:

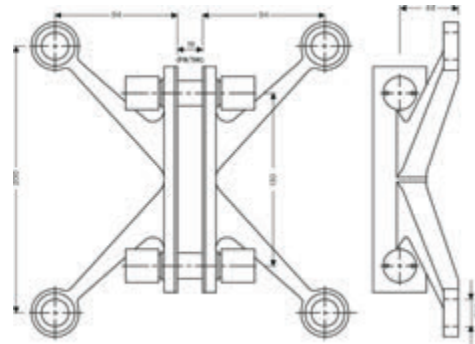
- Material : S.S. 304
- Suitable Glass Thickness : 10mm / 12mm.
- Finish :- SSS / PSS

NSDH - 03 Sliding Door Handle - Square

SPIDER FITTING



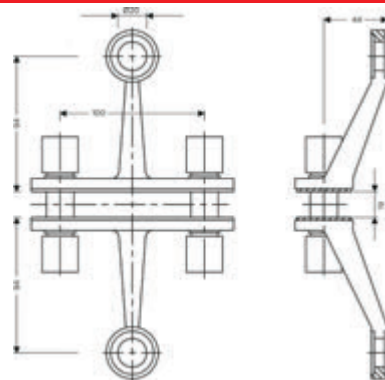
SPIDER FITTING WITH FIN - S.S. 316



Features:

- Installed with Routels
- Firm holding with fin
- Material :- S.S. - 316
- Finish :- SSS / PSS

NSF - 01 Four Way Spider Fitting with Fin

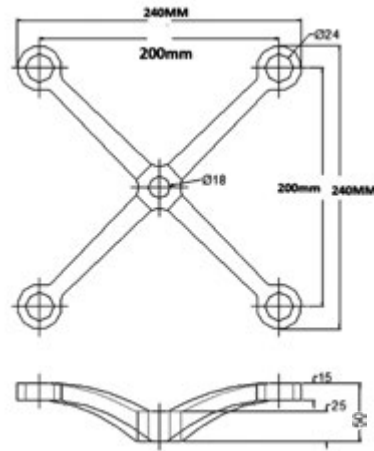


Features:

- Installed with Routels
- Firm holding with fin
- Material :- S.S. - 316
- Finish :- SSS / PSS

NSF - 02 Two Way Spider Fitting with Fin

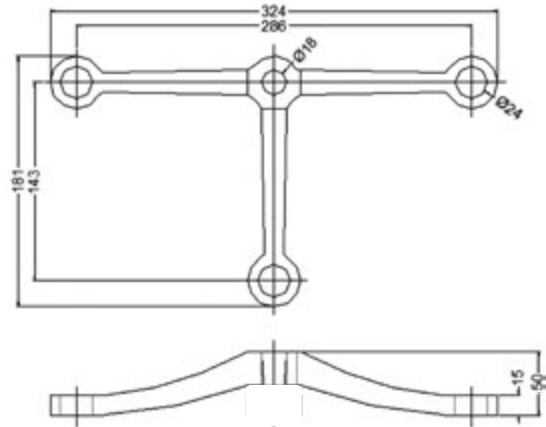
SPIDER FITTING WITHOUT FIN - S.S. 316



Features:

- Installed with Routels
- Material :- S.S. - 316
- Finish :- SSS / PSS

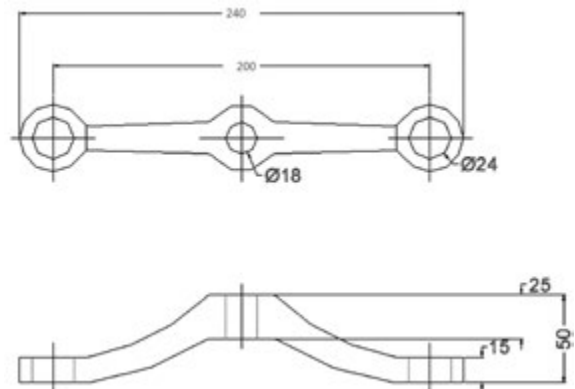
NSF - 03 Four Way Spider Fitting without Fin



Features:

- Installed with Routels
- Material :- S.S. - 316
- Finish :- SSS / PSS

NSF - 04 Three Way Spider Fitting without Fin

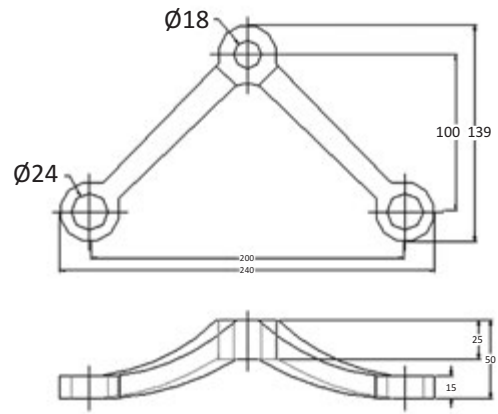


Features:

- Installed with Routels
- Material :- S.S. - 316
- Finish :- SSS / PSS

NSF - 05 Two Way Spider Fitting without Fin - 180°

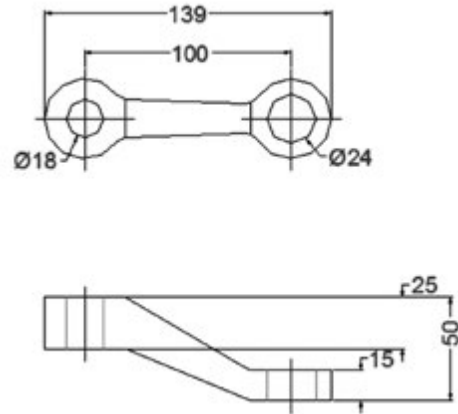
SPIDER FITTING WITHOUT FIN - S.S. 316



Features:

- Installed with Routels
- Material :- S.S. - 316
- Finish :- SSS / PSS

NSF - 06 Two Way Spider Fitting without Fin - 90°

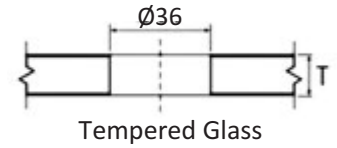


Features:

- Installed with Routels
- Material :- S.S. - 316
- Finish :- SSS / PSS

NSF - 07 One Way Spider Fitting without Fin

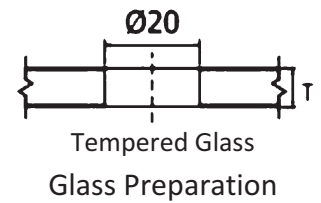
SPIDER FITTING - ROUTEL - S.S. 316



Features:

- For Glass Thickness : Up To 15mm
- Material :- S.S. - 316
- Finish :- SSS / PSS

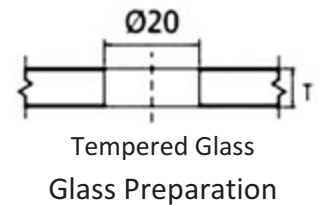
NROUTE - 01 Articulated Bolt (Flat Head) - 60mm



Features:

- For Glass Thickness : Up To 15mm
- Material :- S.S. - 316
- Finish :- SSS / PSS

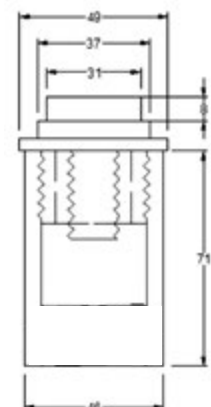
NROUTE - 02 Fixed Bolt (Flat Head - 40mm)



Features:

- For Glass Thickness : Up To 15mm
- Material :- S.S. - 316
- Finish :- SSS / PSS

NROUTE - 03 Fixed Bolt (Flat Head - 50mm)

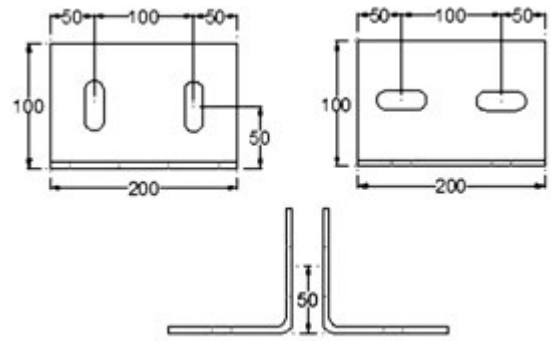


Features:

- For Glass Thickness : Up To 15mm
- Material :- S.S. - 304
- Finish :- SSS / PSS

NROUTE - 04 Telescopic Bolt

SPIDER FITTING - TOP FIN PLATE - 304

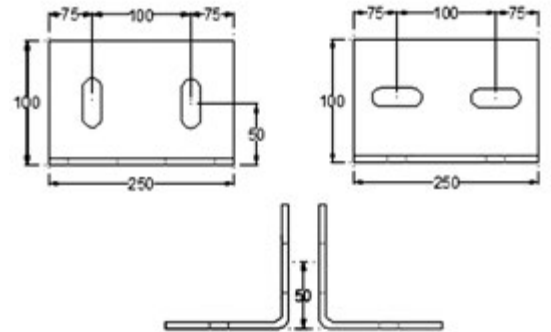


Ovalhole Size 15X40 mm

Features:

- Material :- S.S. - 304
- Finish :- SSS / PSS

NSFP - 200 Top Fin Plate

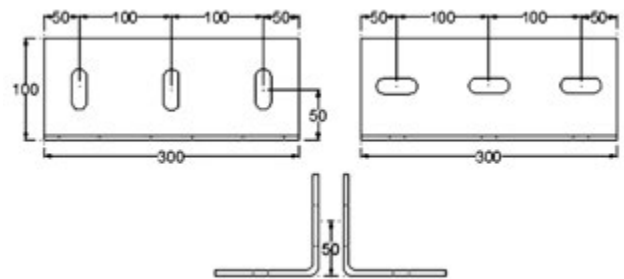


Ovalhole Size 15X40 mm

Features:

- Material :- S.S. - 304
- Finish :- SSS / PSS

NSFP - 250 Top Fin Plate



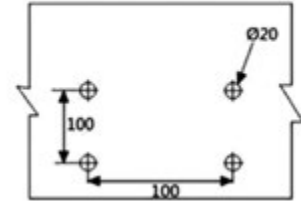
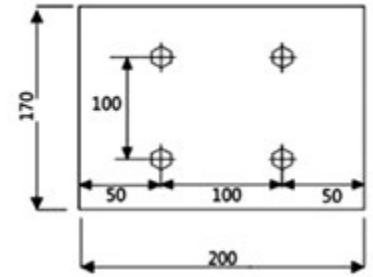
Ovalhole Size 15X40 mm

Features:

- Material :- S.S. - 304
- Finish :- SSS / PSS

NSFP - 300 Top Fin Plate

SPIDER FITTING - SPLICE FIN PLATE - S.S. 304

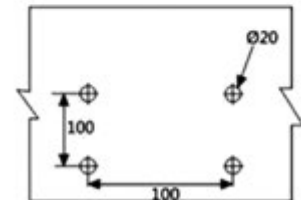
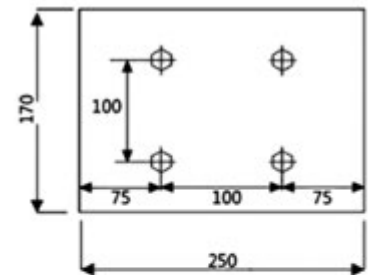


Glass Preparation

Features:

- Material :- SS - 304.
- Finish :- PSS/SSS

NSSP - 200 Splice Fin Plate

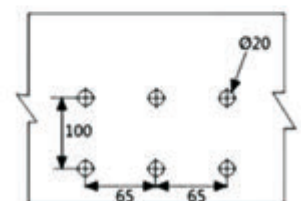
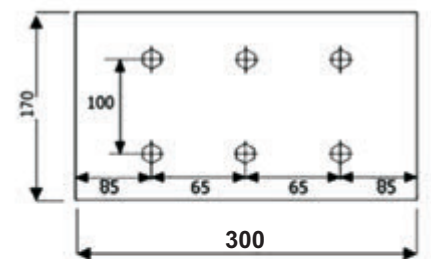


Glass Preparation

Features:

- Material :- SS - 304.
- Finish :- PSS/SSS

NSSP - 250 Splice Fin Plate



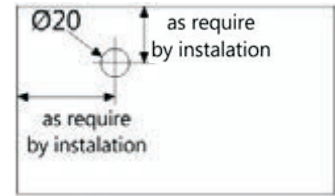
Glass Preparation

Features:

- Material :- SS - 304.
- Finish :- PSS/SSS

NSSP - 300 Splice Fin Plate

CANOPY FITTING - S.S. 304

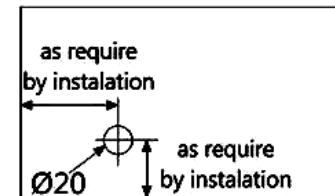


Glass Preparation

Features:

- For Glass Thickness : 10mm / 12mm
- Material :- S.S. - 304
- Finish :- SSS

NCF - 01 Wall to Glass Connector



Glass Preparation

Features:

- For Glass Thickness : 10mm / 12mm
- Material :- S.S. - 304
- Finish :- SSS

NCF - 02 Rod to Glass Connector



Features:

- Material :- SS - 304.
- Finish :- PSS/SSS

NCF - 03 Wall to Rod Connector

GLASS DOOR LOCK



GLASS DOOR LOCK



Features:

- Without Cutout in Glass
- For Openable Door
- Suitable Glass thickness 10mm / 12mm.
- Finish :- BN

NGL - 01 Turn Knob Lock (Wall to Glass)



Features:

- Without Cutout in Glass
- For Openable Door
- Suitable Glass thickness 10mm / 12mm.
- Finish :- BN

NGL - 02 Turn Knob Lock (Glass to Glass)



Features:

- Without Cutout in Glass
- One Side Key One Side Knob
- For Sliding Door
- Suitable Glass thickness 10mm / 12mm.
- Finish :- SSS

NGL - 03 Wall to Glass Lock (K x Kn)



Features:

- Without Cutout in Glass
- One Side Key One Side Knob
- For Sliding Door
- Suitable Glass thickness 10mm / 12mm.
- Finish :- SSS

NGL - 04 Glass to Glass Lock (K x Kn)

GLASS DOOR LOCK**Features:**

- For Openable Door
- Suitable Glass thickness 10mm / 12mm.
- Finish :- SSS

NGL - 05 Wall to Glass Mortise Lock & Handle**Features:**

- For Openable Door
- Suitable Glass thickness 10mm / 12mm.
- Finish :- SSS

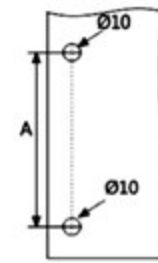
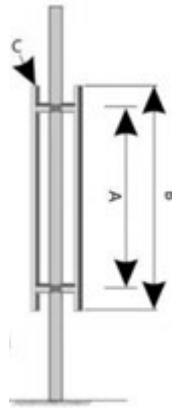
NGL - 06 Glass to Glass Mortise Lock & Handle**Features:**

- For Sliding Door
- Suitable Glass thickness 10mm / 12mm.
- Finish :- SSS

NGL - 07 Wall to Glass Mortise Lock & Handle**Features:**

- For Sliding Door
- Suitable Glass thickness 10mm / 12mm.
- Finish :- SSS

NGL - 08 Glass to Glass Mortise Lock & Handle



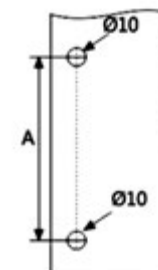
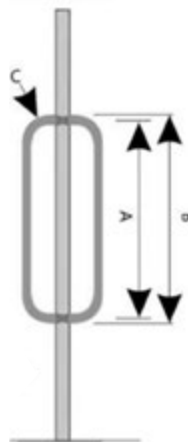
Glass Preparation

Product Code	Finish	Size		
		A	B	C
NPH – 01	SSS / PSS	250mm	300mm	25mm
NPH – 01	SSS / PSS	300mm	350mm	25mm
NPH – 01	SSS / PSS	450mm	500mm	25mm
NPH – 01	SSS / PSS	600mm	650mm	25mm

Features:

- Suitable Glass thickness 8mm / 10mm / 12mm.
- Material :- SS - 304.
- Finish :- PSS/SSS

NPH – 01 H - Handle



Glass Preparation

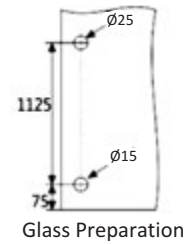
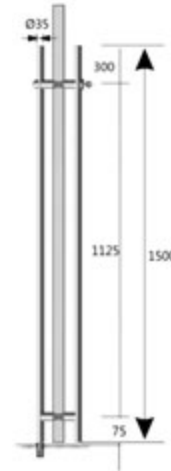
Product Code	Finish	Size		
		A	B	C
NPH – 02	SSS / PSS	250mm	275mm	25mm
NPH – 02	SSS / PSS	300mm	325mm	25mm
NPH – 02	SSS / PSS	450mm	475mm	25mm
NPH – 02	SSS / PSS	600mm	625mm	25mm

Features:

- Suitable Glass thickness 8mm / 10mm / 12mm.
- Material :- SS - 304.
- Finish :- PSS/SSS

NPH – 02 D - Handle

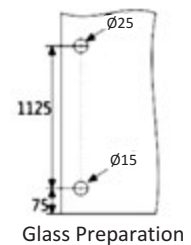
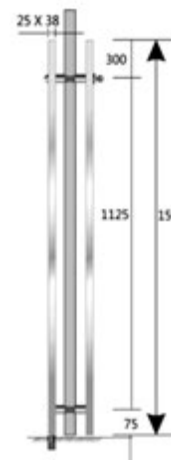
GLASS DOOR HANDLE - S.S. 304



Features:

- Suitable Glass thickness 8mm / 10mm / 12mm.
- Material :- SS - 304.
- Finish :- SSS

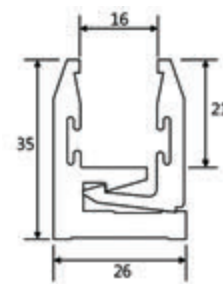
NPH - 03 H - Handle with Lock (Round)



Features:

- Suitable Glass thickness 8mm / 10mm / 12mm.
- Material :- SS - 304.
- Finish :- SSS

NPH - 04 H - Handle with Lock (Square)



Features:

- Suitable Glass Thickness :- 10mm & 12mm.
- Size :- 3mtr.
- Material :- Aluminum
- Finish :- ALU

NAGP - 01 Inter Locking Glazing Profile

Glass Architectural Hardware

The technical presentations and dimensions in the illustrations and drawings are non binding. We reserve the right to make changes to specifications at any time. We do not accept any responsibility for any errors which may occur in the production of this catalogue. All sizes in millimeter (mm).

The products in this list are the ones that are currently in the NSA product range. Since our product range is updated frequently, please feel free contact us if you cannot find any particular information.

The printed colours indicating the surface finishes are not 100% true, but do provide a useful guide.

Pictures may show designs which are different to the scope of delivery.



INNOVATION WITH INTEGRITY

Marketed by :

N. S. Enterprises

C-8, Room No. 4/5, Opp. Ram Mandir,
Bhadran Nagar, S. V. Road,
Malad (W), Mumbai - 400 064.

Tel. : +91 22 2807 6175

Email : ns_enterprise@yahoo.co.in

Website: <https://nsaenterprise.com> | <https://www.indiamart.com/n-senterprisesmumbai/>