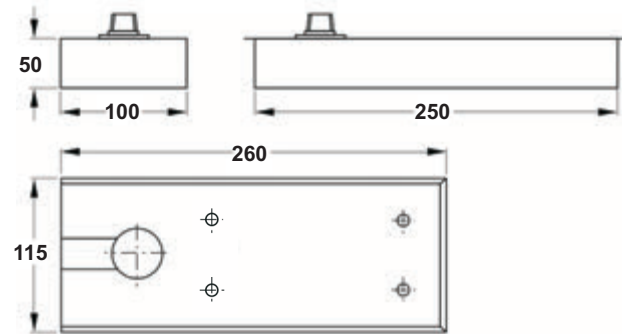


FLOOR SPRING & HYDRAULIC PATCH



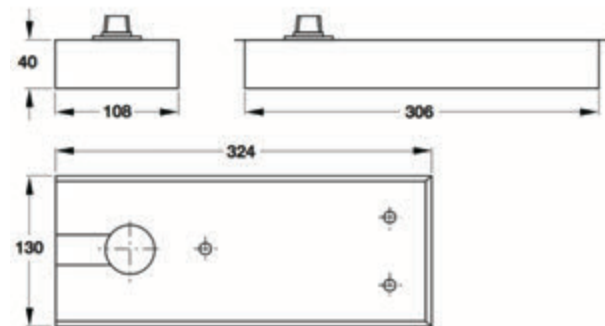
**GLASS DOOR FITTING - FLOOR SPRING**



**Features:**

- Maximum Door Weight : 90Kg.
- Maximum Door Width : 900mm
- Maximum Door Height : 2100mm.
- Hold Open (Standard) : 90° hold open
- Finish(Cover) : SSS

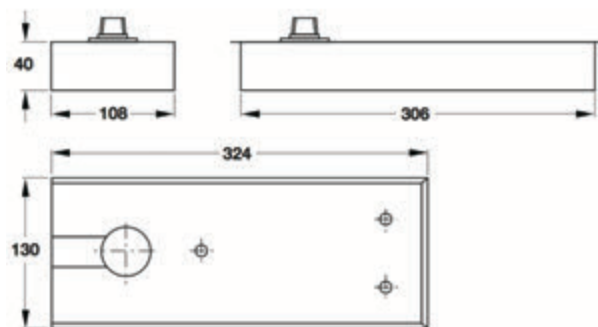
**NFS - 900 Single Cylinder Floor Spring for Wood /Aluminum / Glass Door**



**Features:**

- Maximum Door Weight : 120 Kg
- Maximum Door Width : 1050mm
- Maximum Door Height : 2400mm.
- Hold Open (Standard) : 90° hold open
- Finish(Cover) : SSS

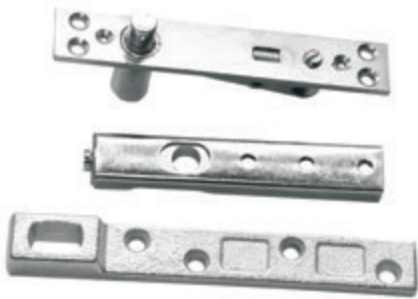
**NFS - 1200 Double Cylinder Floor Spring for Wood / Aluminum / Glass Door**



**Features:**

- Maximum Door Weight : 150 Kg
- Maximum Door Width : 1200mm
- Maximum Door Height : 2600mm.
- Hold Open (Standard) : 90° hold open
- Finish(Cover) : SSS

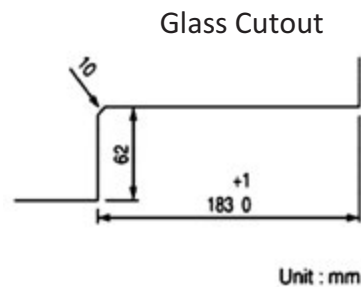
**NFS - 1500 Double Cylinder Floor Spring for Wood / Aluminum / Glass Door**



**Features:**

- Supplied with Top and Bottom Strap

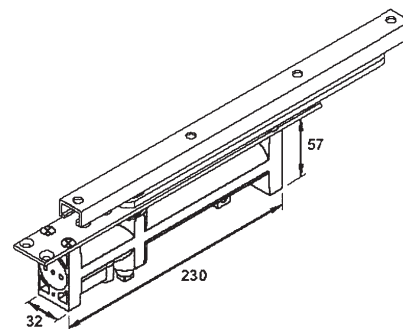
**NFS - ACC - 01**  
Top & Bottom Pivot for Wooden / Aluminum Door



**Features:**

- Floor hinge for double action swing door. Installation in the floor
- Hold Open Angle : 90°.
- Suitable Glass Thickness : 8mm / 10mm / 12mm.
- Maximum Door Width : 900mm
- Maximum Door Height : 2100mm.
- Maximum Door Weight : 90kgs.
- Finish : Satin Stainless Steel.

**NHP - 700**  
Hydraulic Patch for Glass Door



**Features:**

- With slide rail.
- Mounting height only 57 mm.
- Maximum Door Weight - 60 kgs.
- Maximum Door Width - 950 mm.
- Maximum angle of door opening - 120°.
- Finish - Silver

**NCDC - 01**  
Concealed Door Closer

## **Glass Architectural Hardware**

The technical presentations and dimensions in the illustrations and drawings are non binding. We reserve the right to make changes to specifications at any time. We do not accept any responsibility for any errors which may occur in the production of this catalogue. All sizes in millimeter (mm).

The products in this list are the ones that are currently in the NSA product range. Since our product range is updated frequently, please feel free contact us if you cannot find any particular information.

The printed colours indicating the surface finishes are not 100% true, but do provide a useful guide.

Pictures may show designs which are different to the scope of delivery.



INNOVATION WITH INTEGRITY

**Marketed by :**

**N. S. Enterprises**

C-8, Room No. 4/5, Opp. Ram Mandir,  
Bhadran Nagar, S. V. Road,  
Malad (W), Mumbai - 400 064.

Tel. : +91 22 2807 6175

Email : ns\_enterprise@yahoo.co.in

Website: <https://nsaenterprise.com> | <https://www.indiamart.com/n-senterprisesmumbai/>